

VARIO® 变频化学真空系统

PC 3002 VARIO select EK Peltronic

[网站链接](#)

产品说明

VARIO®泵及真空系统通过调整隔膜泵的电机转速来提供精确的真空控制。他们的特点是按下一个键后便能实现全自动蒸馏控制。基础泵是MZ 2C NT VARIO二级化学隔膜泵，适合绝大多数溶剂的中等尺寸的真空需求。PC 3002 VARIO是一款适用于大量溶剂蒸发的好选择。进气口分离瓶能够收集颗粒及液滴。出气口废气冷凝器可以实现溶剂将近100%回收，无需额外的冷凝介质即可实现循环经济和环境保护。按需运行的电机转速能够保证零配件无与伦比的使用寿命，例如隔膜。

性能特点

- 配置图形用户界面及预定义应用的VACUU-SELECT真空控制器能简化实验室工作
- 自动沸点探测及真空度调节能够缩短反应时间
- 结构紧凑性能高效，即使开启气镇阀也能达到较好的极限真空
- 非常安静，运行时振动极低，超长的维护周期
- 无需额外的冷凝介质即有高效的溶剂回收率，对环境友好

订购信息

产品名称	额定电源电压 工作频率	电源插头类型	订货号
PC 3002 VARIO select EK Peltronic	200-230 V 50-60 Hz	IEC 插头 EN 60320	20733574

货品配置

配Peltronic出气口冷凝器真空系统, 带操作说明书

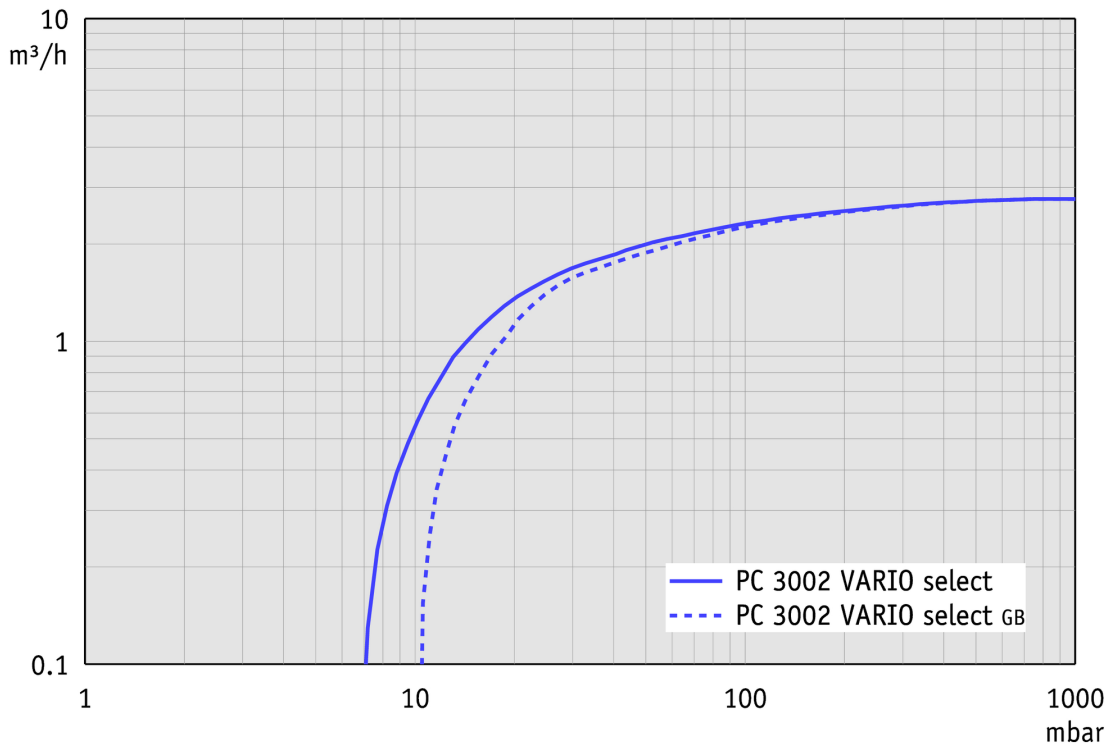
配件

- VACUU-SELECT用户管理 VACUU-SELECT User Management (20700900)
- 橡胶真空管 DN 8 mm (20686001)
- VACUU-LAN® 模块 Einstellwinkel 90° (20637873)
- 用于收集瓶的液面探测传感器 500 ml (20699908)
- 冷凝水阀 VKW-B (20674220)

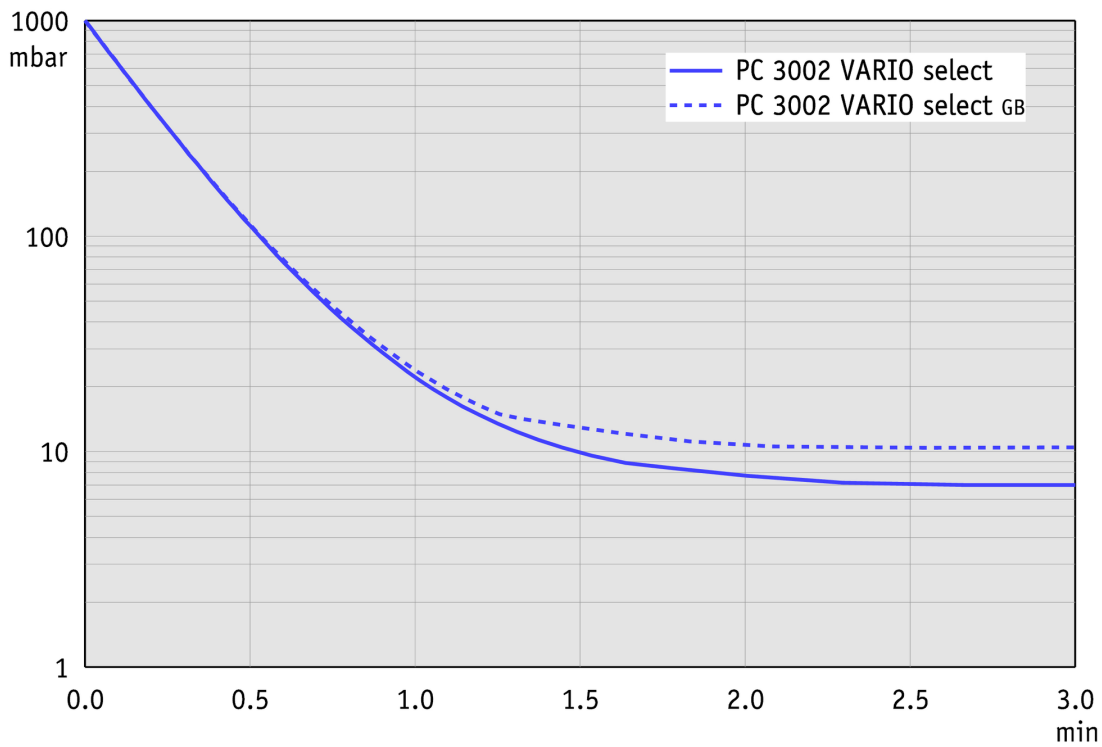
技术指标

50 Hz 最大抽速 (mbar)	2.8 m ³ /h
60 Hz 最大抽速 (cfm)	1.65 cfm
极限真空	7 mbar / 5 torr
极限真空, 使用气镇	12 mbar / 9 torr
泵头数	2
泵级数	2
真空控制器	VACUU·SELECT
的允许环境温度范围 (运行)	10 - 40 °C
的允许环境温度范围 (存放)	-10 - 60 °C
最大出气口压力 (绝对压力)	1.1 bar
进气口连接	软管喷嘴接头 DN 8-10 mm
出气口连接	软管喷嘴接头 DN 8-10 mm
额定电机功率	0.53 kW
电机转速范围	30 - 2400 min ⁻¹
防护等级	IP 20
尺寸 (长x宽x高)	402 mm x 361 mm x 457 mm
重量	22 kg
噪音水平 50 Hz/1500 Upm/62% (VARIO)/1500 Upm (VARIO-SP)/12500 Upm (VACUU·PURE®)	43 dBA
ATEX规格	II 3/- G Ex h IIC T3 Gc X Internal Atm. only
NRTL 标准	否
通讯	Ethernet (RJ45): Modbus TCP / USB (Type A): Data transfer, software update, RS-232 (additional adapter required)

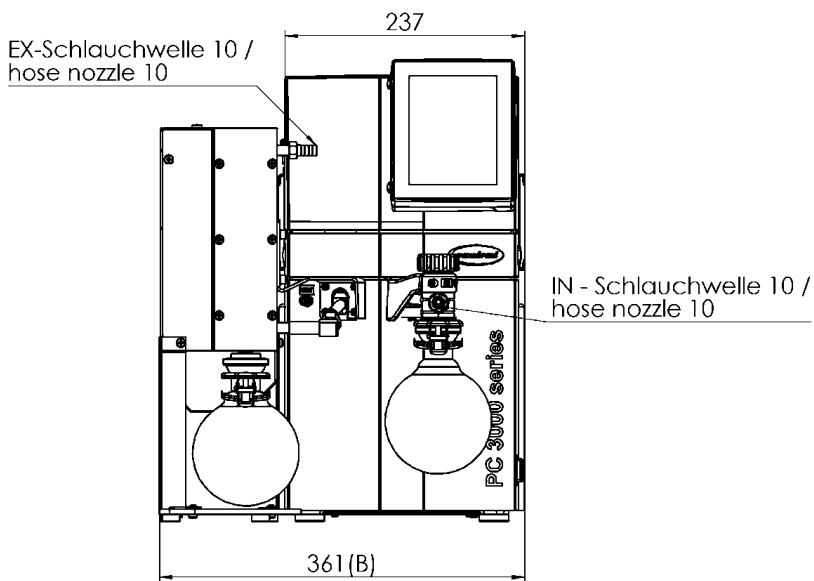
50 Hz下的抽速曲线



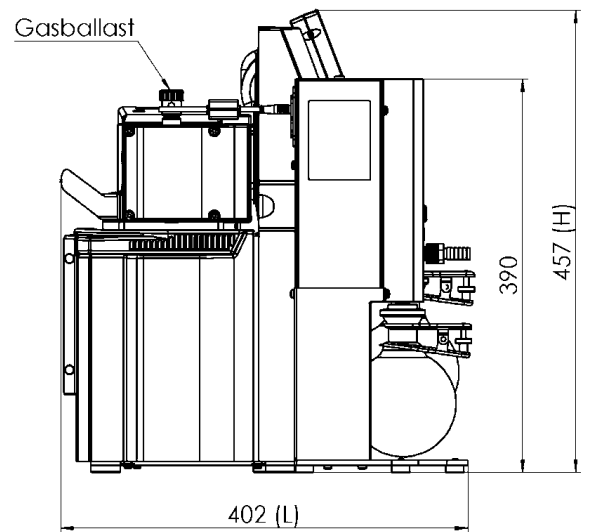
50 Hz下的抽气曲线 (10升容积)



尺寸规格表



Alle Maße / all dimensions (mm)
Gewicht / weight: ca.22 kg



VACUUBRAND PC 3002 VARIO select EKP
Version 2018/04/05

VACUUBRAND GMBH + CO KG
P.O. Box 1664
97877 Wertheim
T +49 9342 808 5550
F +49 9342 808 5555

info@vacuubrand.com
www.vacuubrand.com

VACUUBRAND®

VACUUBRAND is part of the Brand group, a manufacturer of high-quality and innovative laboratory equipment and vacuum technology with a global team of approx. 1,000 employees.

With highly motivated and qualified employees, we manufacture the world's most comprehensive product family for vacuum generation, measurement and control for the rough and fine vacuum range in the laboratory.

All with one goal:

Enabling our customers to run reliable, safe and efficient processes. This is why we commit ourselves to continuous innovation, first-class performance, and outstanding quality.

Engineering excellence is central to our ability to deliver products and solutions renowned for their quality, durability, and reliability. Innovative technology, high quality materials and extensive testing deliver unmatched performance - engineered and manufactured in Germany.

Together with you, our experts will find the best solution for your application and provide you with first-class service along the way.

BRAND (Shanghai) Trading Co., Ltd.
Shanghai, China

T +86 21 6422 2318
info@brand.com.cn
china.brand.com.cn

BRAND Scientific Equipment Pvt. Ltd.
Mumbai, India

T +91 22 42957790
customersupport@brand.co.in
www.brand.co.in

BRANDTECH® Scientific, Inc.
Essex, CT. United States of America

T +1 860 767 2562
info@brandtech.com
www.brandtech.com