

# VARIO® 变频化学真空系统

## PC 3001 VARIO select TE



网站链接

### 产品说明

PC 3001 VARIO select真空系统能精确控制真空度，以实现无与伦比的工艺过程控制。该泵适用于高沸点溶剂。集成式的VACUU-SELECT真空控制器搭配了简单易用、基于应用程序的用户界面，内嵌了所有常见的实验室真空应用。VACUU-SELECT真空控制器可满足您所有要求。对于简易实验过程可手动修改控制参数，也可进行全自动蒸馏，或者通过简单的“拖放”操作编辑创建自己的应用程序。在溶剂蒸发过程中，VACUU-SELECT真空控制器能够探测溶剂沸点，并自动调节真空过程，维持过程控制。按需响应的变频电机转速控制使泵运行安静，且确保了超长的维护间隔。进气口分离瓶由玻璃制成，外覆一层保护膜，能防止颗粒和液滴进入泵内，防止泵损坏，延长泵的使用寿命。PC 3001 VARIO select TE在泵的出气口装有干冰冷凝器，因此不需要连接冷却水。

### 性能特点

- VACUU-SELECT真空控制器采用图形用户界面，内置预定义应用，可以简化实验室工作
- 自动沸点探测及真空度持续优化能够加快反应过程
- 紧凑强大，即使连接连续冷凝纯化也拥有优越的性能
- 极低振动，运行安静
- 环境友好：极低的能源损耗，高效的溶剂回收率。无油！

## 订购信息

| 产品名称                    | 额定电源电压 工作频率                                  | 电源插头类型 | 订货号      |
|-------------------------|--|--------|----------|
| PC 3001 VARIO select TE | 200-230 V   50-60 Hz<br>100-120 V   50-60 Hz | CEE    | 20700220 |

## 货品配置

真空系统安装完毕，连接即可使用，附带说明书

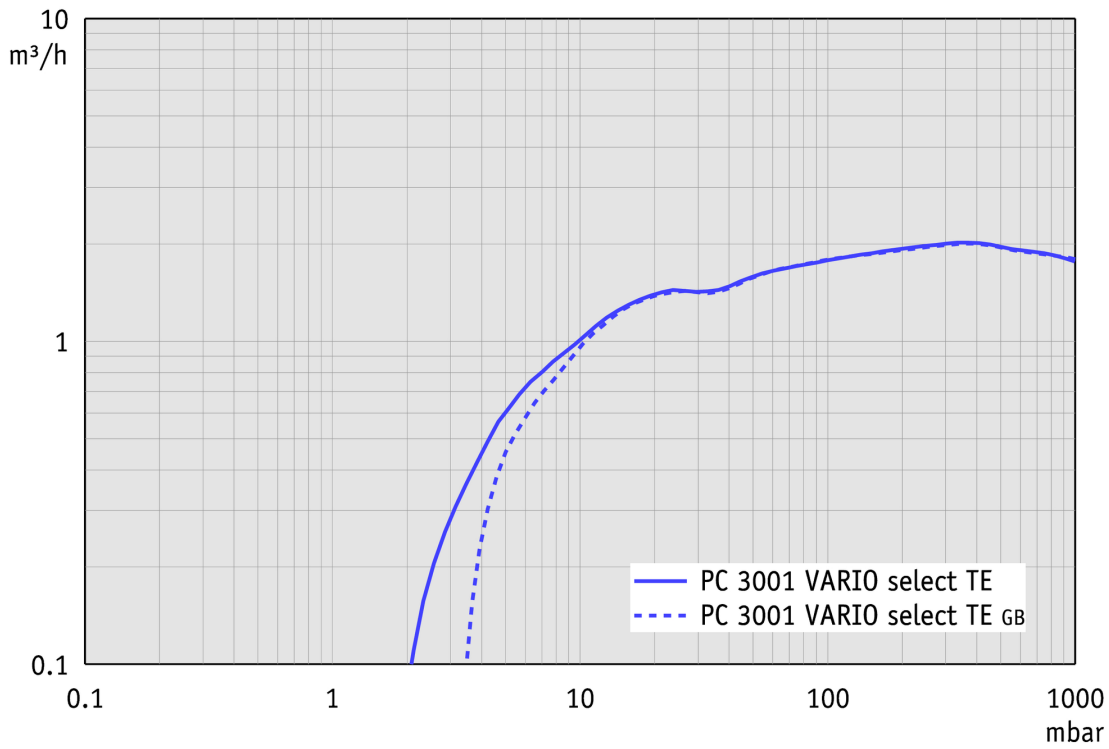
## 配件

- VACUU-SELECT用户管理 VACUU-SELECT User Management (20700900)
- 橡胶真空管 DN 8 mm (20686001)
- VACUU-LAN® 模块 Einstellwinkel 90° (20637873)
- 用于收集瓶的液面探测传感器 500 ml (20699908)
- 进气阀 VB M-B (20674217)

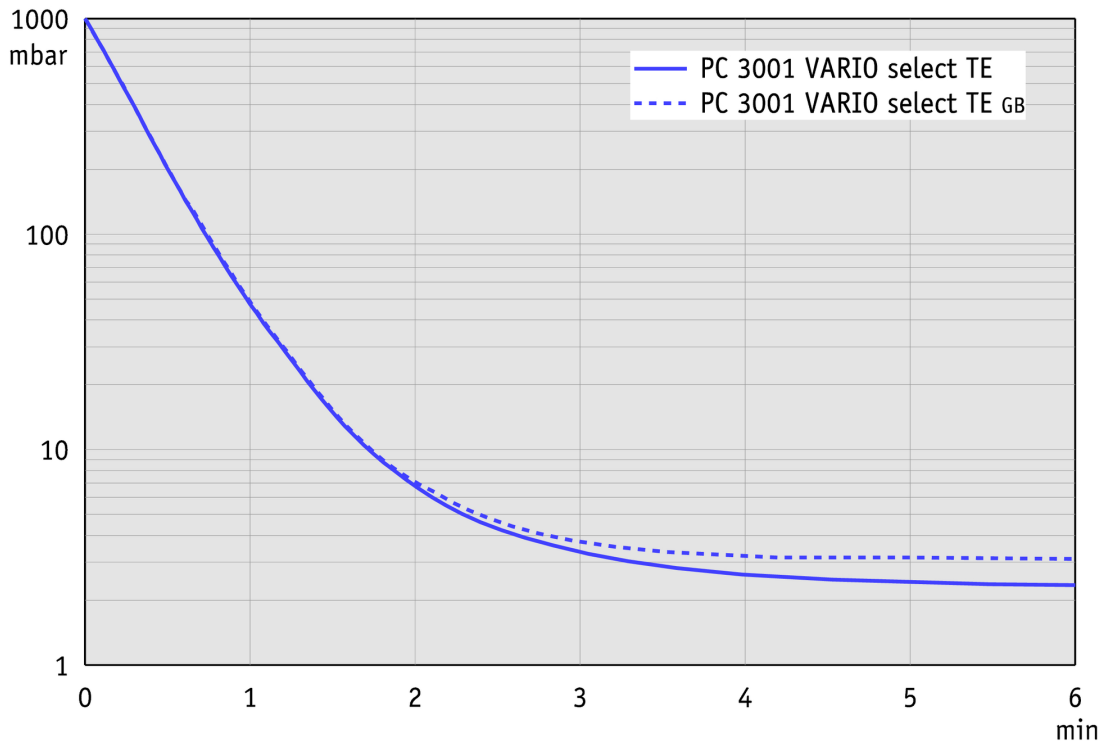
技术指标

|   |  |
|---|--|
| 50 Hz 最大抽速 (mbar)   | 2 m <sup>3</sup> /h  |
| 60 Hz 最大抽速 (cfm)  | 1.18 cfm   |
| 极限真空  | 2.0 mbar / 1.5 torr  |
| 极限真空, 使用气镇  | 4 mbar / 3 torr  |
| 泵头数   | 4  |
| 泵级数   | 3  |
| 真空控制器   | VACUU-SELECT   |
| 的允许环境温度范围 (运行)  | 10 - 40 °C   |
| 的允许环境温度范围 (存放)  | -10 - 60 °C  |
| 最大出气口压力 (绝对压力)  | 1.1 bar  |
| 进气口连接   | 软管喷嘴接头 DN 6-10 mm  |
| 出气口连接   | 软管喷嘴接头 DN 8-10 mm  |
| 额定电机功率  | 0.16 kW  |
| 电机转速范围  | 200 - 3000 min <sup>-1</sup>   |
| 防护等级  | IP 20  |
| 尺寸 (长x宽x高)  | 301 mm x 341 mm x 493 mm   |
| 重量  | 8.7 kg   |
| 噪音水平 50 Hz/1500 Upm/62% (VARIO)/1500 Upm (VARIO-SP)/12500 Upm (VACUU-PURE®) | 42 dBA   |
| ATEX规格  | II 3/- G Ex h IIC T3 Gc X Internal Atm. only   |
| NRTL 标准   | 是  |
| 通讯  | Ethernet (RJ45): Modbus TCP / USB (Type A): Data transfer, software update, RS-232 (additional adapter required) |

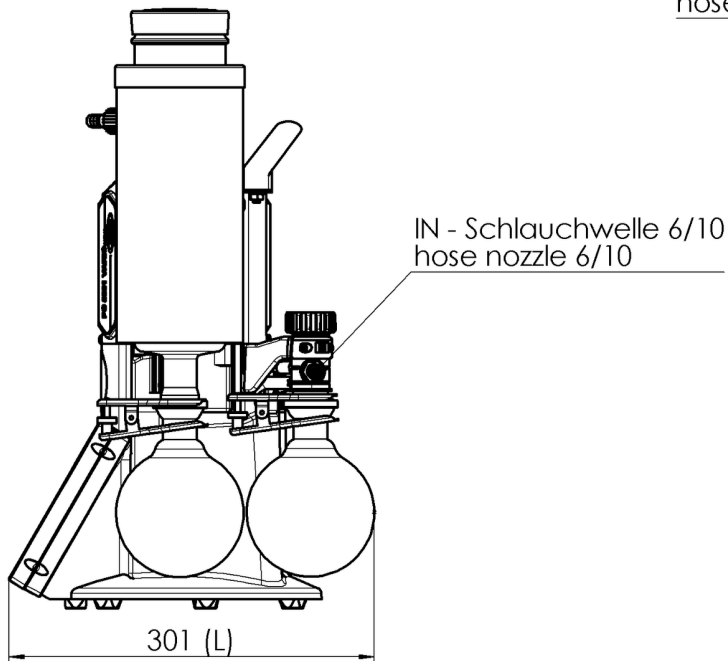
50 Hz下的抽速曲线



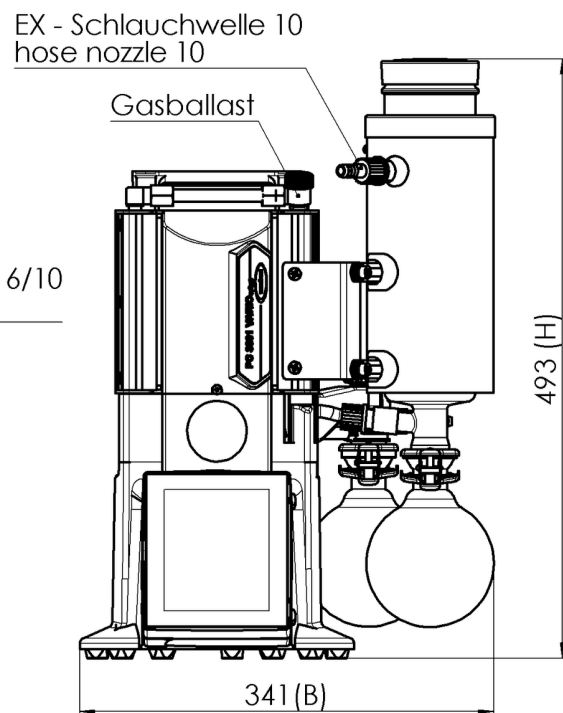
50 Hz下的抽气曲线 (10升容积)



尺寸规格表



Alle Maße / all dimensions (mm)  
Gewicht / weight 8,7 kg



VACUUBRAND PC 3001 VARIO select TE  
Version 2017/06/29

VACUUBRAND GMBH + CO KG  
P.O. Box 1664  
97877 Wertheim  
T +49 9342 808 5550  
F +49 9342 808 5555

info@vacuubrand.com  
www.vacuubrand.com

**VACUUBRAND®**

VACUUBRAND is part of the Brand group, a manufacturer of high-quality and innovative laboratory equipment and vacuum technology with a global team of approx. 1,000 employees.

With highly motivated and qualified employees, we manufacture the world's most comprehensive product family for vacuum generation, measurement and control for the rough and fine vacuum range in the laboratory.

**All with one goal:**

Enabling our customers to run reliable, safe and efficient processes. This is why we commit ourselves to continuous innovation, first-class performance, and outstanding quality.

Engineering excellence is central to our ability to deliver products and solutions renowned for their quality, durability, and reliability. Innovative technology, high quality materials and extensive testing deliver unmatched performance - engineered and manufactured in Germany.

Together with you, our experts will find the best solution for your application and provide you with first-class service along the way.

BRAND (Shanghai) Trading Co., Ltd.  
Shanghai, China

T +86 21 6422 2318  
info@brand.com.cn  
china.brand.com.cn

BRAND Scientific Equipment Pvt. Ltd.  
Mumbai, India

T +91 22 42957790  
customersupport@brand.co.in  
www.brand.co.in

BRANDTECH® Scientific, Inc.  
Essex, CT. United States of America

T +1 860 767 2562  
info@brandtech.com  
www.brandtech.com