

VARIO® 变频隔膜泵 MV 2 VARIO select

网站链接



产品说明

四级隔膜泵-例如MV 2 VARIO select在毫巴真空范围是一个优秀的解决方案，可以连续无油地泵抽非腐蚀性气体。沾湿部件由铝、不锈钢和精心挑选的塑料制成，适用于广泛的非腐蚀性应用。MV 2 VARIO select不断调整其电机速度，以保持所需的真空度。这意味着泵运行时非常安静，振动超低，并具有较好的密封性。高柔性纤维增强双FKM膜片是延长泵使用寿命的理想选择。VARIO®设计包括变频泵和带外置传感器的VACUU-SELECT真空控制器。VARIO®型号按需响应的电机转速控制进一步延长了隔膜和阀门已经很长的使用寿命。

性能特点

- 配置图形用户界面及预定义应用的VACUU-SELECT真空控制器能简化实验室工作
- 自动沸点探测及真空度调节能够缩短反应时间
- 超长的膜片寿命，维护周期长且维护成本低
- 无污染泵抽及排放
- 优异的极限真空，VARIO®版本在TURBO模式下作为涡轮分子泵的前级泵能拥有更好的极限真空

订购信息

产品名称	额定电源电压 工作频率	电源插头类型	订货号
MV 2 VARIO select	200-230 V 50-60 Hz	CEE	20738150
MV 2 VARIO select	200-230 V 50-60 Hz	CH	20738151
MV 2 VARIO select	100-120 V 50-60 Hz	US	20738153
MV 2 VARIO select	200-230 V 50-60 Hz	CN	20738156

货品配置

泵体安装完毕，连接即可使用，附带说明书

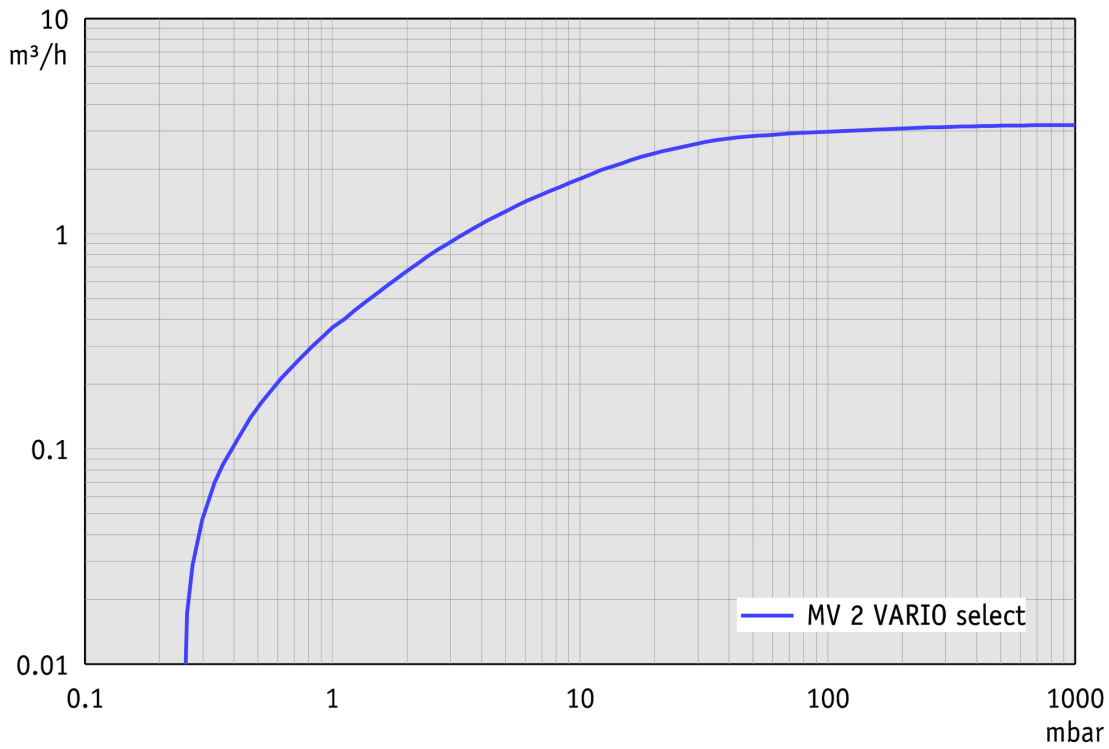
配件

- VACUU-SELECT用户管理 VACUU-SELECT User Management (20700900)
- 橡胶真空管 DN 8 mm (20686001)
- 小法兰的中心支架 KF DN 10/16 (20660000)
- 小法兰外齐式环形中心支架 KF DN 10/16 (20660190)
- 带软管喷嘴接头的小法兰 KF DN 16 / DN 10 mm (20662806)
- 进气阀 VB M-B (20674217)

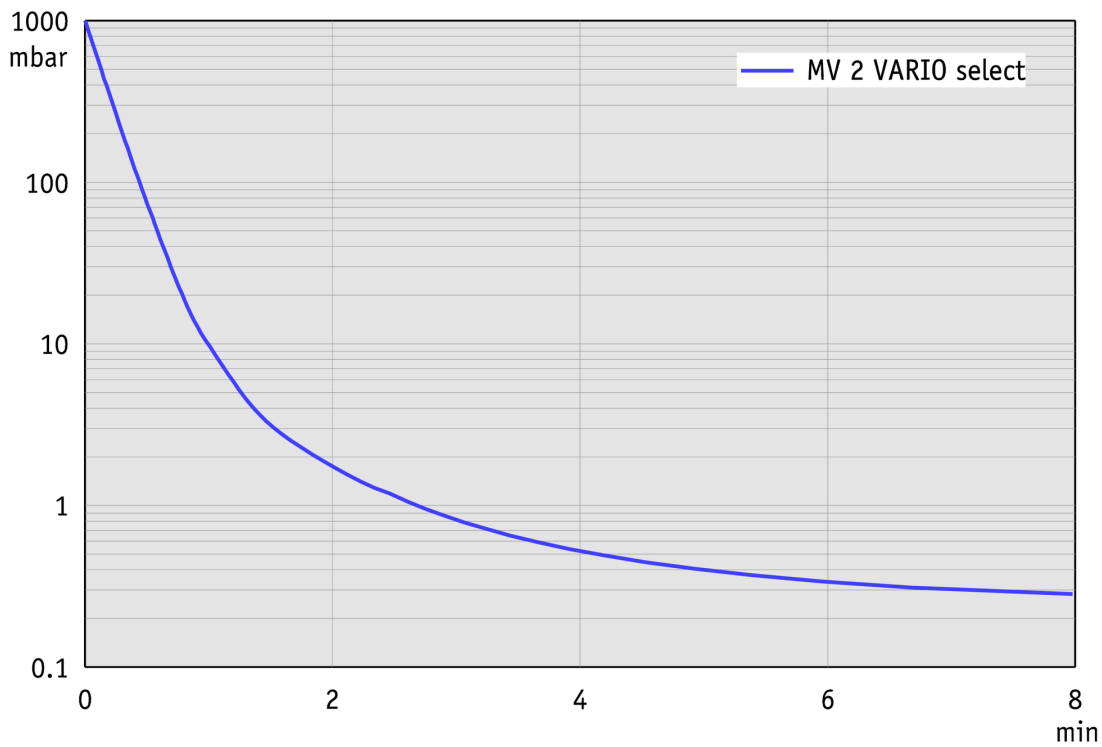
技术指标

50 Hz 最大抽速 (mbar)	3.3 m ³ /h
60 Hz 最大抽速 (cfm)	1.9 cfm
极限真空	0.3 mbar / 0.2 torr
泵头数	4
泵级数	4
真空控制器	VACUU·SELECT
的允许环境温度范围 (运行)	10 - 40 °C
的允许环境温度范围 (存放)	-10 - 60 °C
最大出气口压力 (绝对压力)	1.1 bar
进气口连接	KF DN 16 小法兰
出气口连接	消音器 / G1/4"
额定电机功率	0.53 kW
电机转速范围	30 - 2400 min ⁻¹
防护等级	IP 20
尺寸 (长x宽x高)	325 mm x 235 mm x 245 mm
重量	19.1 kg
噪音水平 50 Hz/1500 Upm/62% (VARIO)/1500 Upm (VARIO-SP)/12500 Upm (VACUU·PURE®)	45 dBA
ATEX规格	II 3/- G IIC T3 X Internal Atm. only
NRTL 标准	否
通讯	Ethernet (RJ45): Modbus TCP / USB (Type A): Data transfer, software update, RS-232 (additional adapter required)

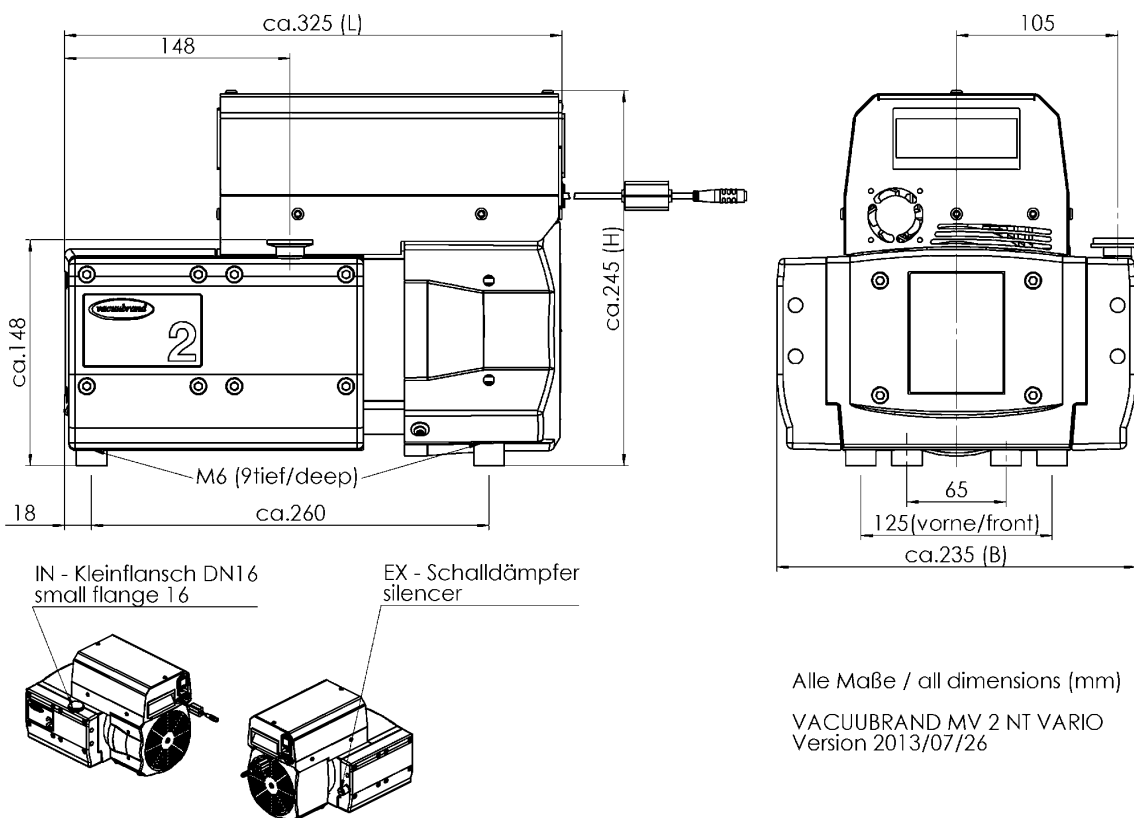
50 Hz下的抽速曲线



50 Hz下的抽气曲线 (10升容积)



尺寸规格表



Alle Maße / all dimensions (mm)
 VACUUBRAND MV 2 NT VARIO
 Version 2013/07/26

VACUUBRAND GMBH + CO KG
P.O. Box 1664
97877 Wertheim
T +49 9342 808 5550
F +49 9342 808 5555

info@vacuubrand.com
www.vacuubrand.com

VACUUBRAND®

VACUUBRAND is part of the Brand group, a manufacturer of high-quality and innovative laboratory equipment and vacuum technology with a global team of approx. 1,000 employees.

With highly motivated and qualified employees, we manufacture the world's most comprehensive product family for vacuum generation, measurement and control for the rough and fine vacuum range in the laboratory.

All with one goal:

Enabling our customers to run reliable, safe and efficient processes. This is why we commit ourselves to continuous innovation, first-class performance, and outstanding quality.

Engineering excellence is central to our ability to deliver products and solutions renowned for their quality, durability, and reliability. Innovative technology, high quality materials and extensive testing deliver unmatched performance - engineered and manufactured in Germany.

Together with you, our experts will find the best solution for your application and provide you with first-class service along the way.

BRAND (Shanghai) Trading Co., Ltd.
Shanghai, China

T +86 21 6422 2318
info@brand.com.cn
china.brand.com.cn

BRAND Scientific Equipment Pvt. Ltd.
Mumbai, India

T +91 22 42957790
customersupport@brand.co.in
www.brand.co.in

BRANDTECH® Scientific, Inc.
Essex, CT. United States of America

T +1 860 767 2562
info@brandtech.com
www.brandtech.com