

# VARIO® 变频化学真空系统

## PC 3002 VARIO select

[网站链接](#)

### 产品说明

PC 3002 VARIO select真空系统能精确控制真空度，以实现无与伦比的工艺过程控制。二级变频隔膜泵MZ 2C VARIO是PC 3002 VARIO的核心组件，适用于绝大部分溶剂蒸发。集成式的VACUU-SELECT真空控制器搭配了简单易用、基于应用程序的用户界面，内嵌了所有常见的实验室真空应用。VACUU-SELECT真空控制器可满足您所有要求。对于简易实验过程可手动修改控制参数，也可进行全自动蒸馏，或者通过简单的“拖放”操作编辑创建自己的应用程序。在溶剂蒸发过程中，VACUU-SELECT真空控制器能够探测溶剂沸点，并按需自动调节真空过程。应用程序里所需的真空值和其他参数可以结合使用或单独控制。基于变频控制，泵仅在需要真空时运行，确保了泵超长的维护间隔且运行安静。进气口分离瓶由玻璃制成，外覆一层保护膜，能防止颗粒和液滴进入泵内。出气口废气冷凝器可以实现溶剂将近100%回收，从而实现循环经济和环境保护。”

### 性能特点

- 配置图形用户界面及预定义应用的VACUU-SELECT真空控制器能简化实验室工作
- 自动沸点探测及真空度调节能够缩短反应时间
- 结构紧凑性能高效，即使开启气镇阀也能达到较好的极限真空
- 非常安静，运行时振动极低，超长的维护周期
- 优异的环境友好性，极低的能源损耗和高效的溶剂回收率

## 订购信息

产品名称	额定电源电压 工作频率	电源插头类型	订货号
PC 3002 VARIO select	200-230 V   50-60 Hz	CN	20733556

## 货品配置

真空系统安装完毕，连接即可使用，附带说明书

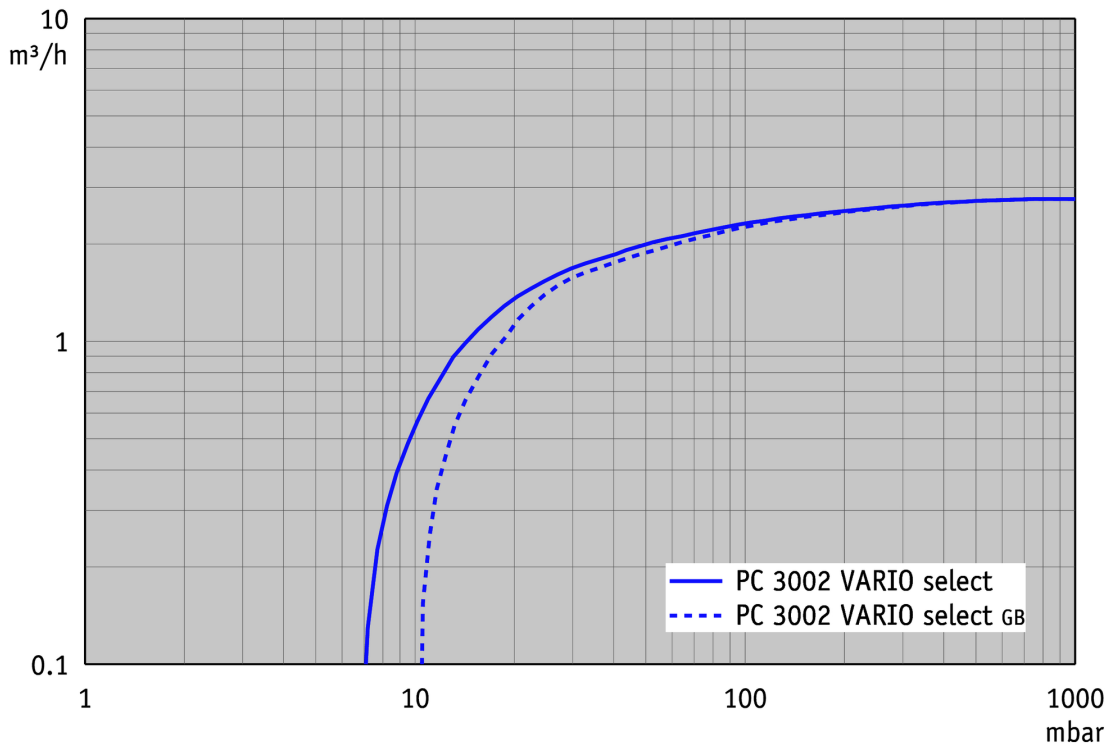
## 配件

- VACUU-SELECT用户管理 VACUU-SELECT User Management (20700900)
- 透明真空管 DN 8 mm (20686061)
- VACUU-LAN® 模块 DN 10/8 mm (20637873)
- 用于收集瓶的液面探测传感器 500 ml (20699908)
- 冷凝水阀 VKW-B (20674220)
- 密封圈套装 MZ 2C NT / MZ 2C NT VARIO / PC 3002 (20696869)
- 密封圈套装 MZ 2C NT / MZ 2C NT VARIO / PC 3002 (20696869)

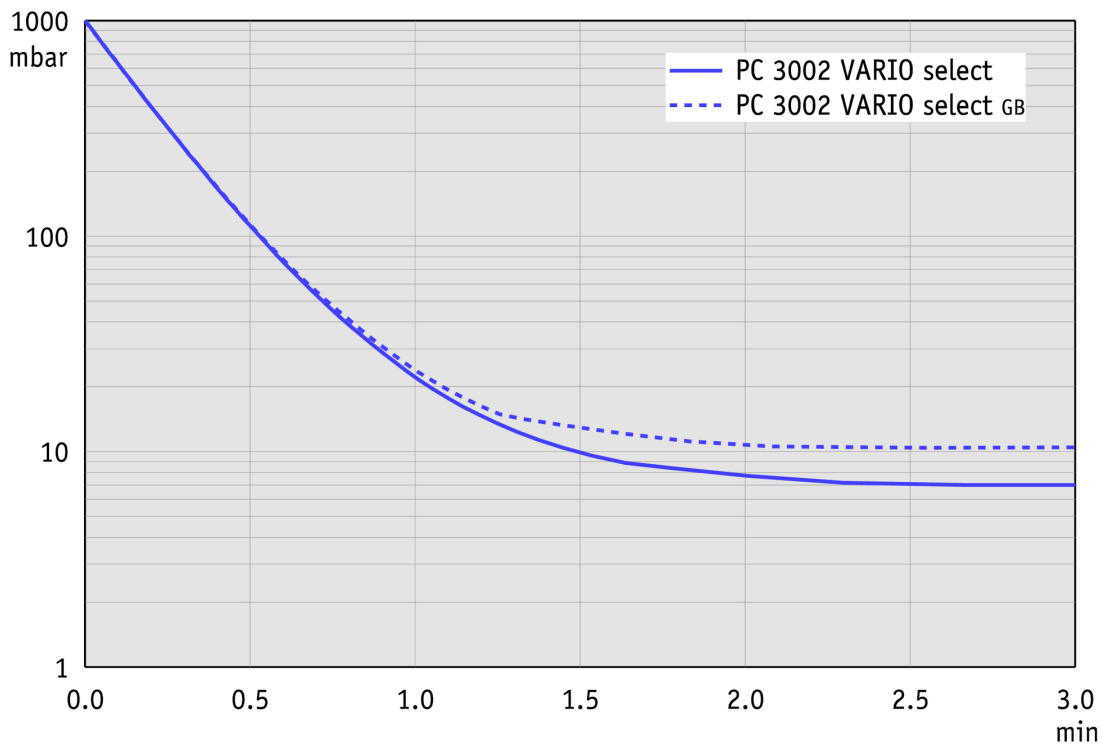
技术指标

50 Hz 最大抽速 (m <sup>3</sup> /h)	2.8 m <sup>3</sup> /h
60 Hz 最大抽速 (cfm)	1.65 cfm
极限真空	7 mbar / 5 torr
极限真空, 使用气镇	12 mbar / 9 torr
泵头数	2
泵级数	2
真空控制器	VACUU·SELECT
的允许环境温度范围 (运行)	10 - 40 °C
的允许环境温度范围 (存放)	-10 - 60 °C
最大出气口压力 (绝对压力)	1.1 bar
进气口连接	软管喷嘴接头 DN 8-10 mm
出气口连接	软管喷嘴接头 DN 8-10 mm
冷却液接口	2个 DN 6-8 mm 软管喷嘴接头
额定电机功率	0.53 kW
电机转速范围	30 - 2400 min <sup>-1</sup>
防护等级	IP 20
尺寸 (长x宽x高)	419 mm x 243 mm x 457 mm
重量	17.9 kg
噪音水平 50 Hz/1500 Upm/62% (VARIO)/1500 Upm (VARIO-SP)/12500 Upm (VACUU·PURE®)	43 dBA
ATEX规格	II 3/- G Ex h IIC T3 Gc X Internal Atm. only
NRTL 标准	否
通讯	Ethernet (RJ45): Modbus TCP / USB (Type A): Data transfer, software update, RS-232 (additional adapter required)

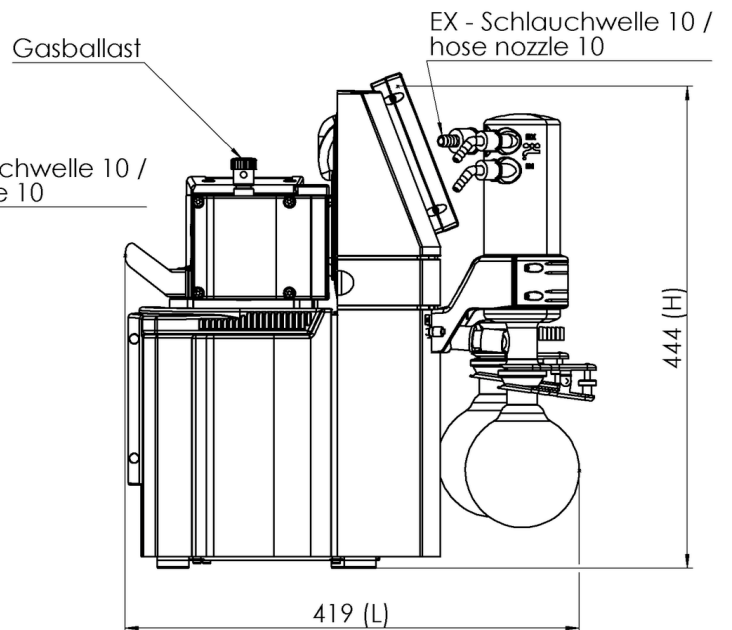
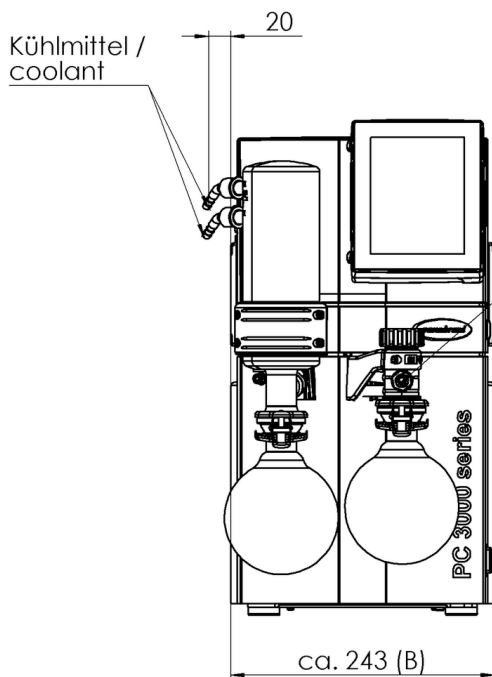
50 Hz下的抽速曲线



50 Hz下的抽气曲线 (10升容积)



尺寸规格表



Alle Maße / all dimensions (mm)  
Gewicht / weight: ca.17,9 kg

VACUUBRAND PC 3002 VARIO select  
Version 2018/04/05

VACUUBRAND GMBH + CO KG  
P.O. Box 1664  
97877 Wertheim  
T +49 9342 808 5550  
F +49 9342 808 5555

info@vacuubrand.com  
www.vacuubrand.com

**VACUUBRAND®**

VACUUBRAND is part of the Brand group, a manufacturer of high-quality and innovative laboratory equipment and vacuum technology with a global team of approx. 1,000 employees.

With highly motivated and qualified employees, we manufacture the world's most comprehensive product family for vacuum generation, measurement and control for the rough and fine vacuum range in the laboratory.

**All with one goal:**

Enabling our customers to run reliable, safe and efficient processes. This is why we commit ourselves to continuous innovation, first-class performance, and outstanding quality.

Engineering excellence is central to our ability to deliver products and solutions renowned for their quality, durability, and reliability. Innovative technology, high quality materials and extensive testing deliver unmatched performance - engineered and manufactured in Germany.

Together with you, our experts will find the best solution for your application and provide you with first-class service along the way.

BRAND (Shanghai) Trading Co., Ltd.  
Shanghai, China

T +86 21 6422 2318  
info@brand.com.cn  
china.brand.com.cn

BRAND Scientific Equipment Pvt. Ltd.  
Mumbai, India

T +91 22 42957790  
customersupport@brand.co.in  
www.brand.co.in

BRANDTECH® Scientific, Inc.  
Essex, CT. United States of America

T +1 860 767 2562  
info@brandtech.com  
www.brandtech.com