

VARIO®化学真空系统

PC 3001 VARIO^{pro}

[网站链接](#)

产品说明

VARIO® 化学真空系统通过精确且持续地调节隔膜泵的马达转速来自动调节最佳真空条件。基于马达转速控制，真空泵仅在需要真空时运行，节省能耗且减少维护需求。集成的真空控制器只需按下一个按钮，即可实现全自动的蒸发控制。该系统占地少、重量轻、噪音低，在实验室使用非常便捷，因此非常受欢迎。PC 3001 VARIO^{pro}非常适用于高沸点溶剂的应用。全新的“pro”版本是基于享誉全球的PC 3001 VARIO版本，抽速提高，因此扩大了使用范围。进气口的收集瓶为玻璃材质，外覆保护膜，防止颗粒或者小液滴进入泵内。出气口的废气冷凝器效率高，结构紧凑，可实现近100%的溶剂回收效果。

性能特点

- CVC 3000真空控制器非常易于操作，文本菜单清晰，内置放气阀
- 整个过程真空度自动调节，过程重复性高，操作过程无需过多干预；因其零波动（无滞后）的真空控制效果，过程时间更短，即使针对大量蒸汽时亦是如此
- 结构紧凑，功能强大；使用气镇仍能达到很好的极限真空
- 排气安静，振动极低
- 低能耗及高效的溶剂回收系统，使其成为一款环境友好的产品

订购信息

产品名称	额定电源电压 工作频率	电源插头类型	订货号
PC 3001 VARIO ^{Pro}	200-230 V 50-60 Hz 100-120 V 50-60 Hz	CEE	20696700
PC 3001 VARIO ^{Pro}	200-230 V 50-60 Hz 100-120 V 50-60 Hz	CH	20696701
PC 3001 VARIO ^{Pro}	200-230 V 50-60 Hz 100-120 V 50-60 Hz	UK, IN	20696702

货品配置

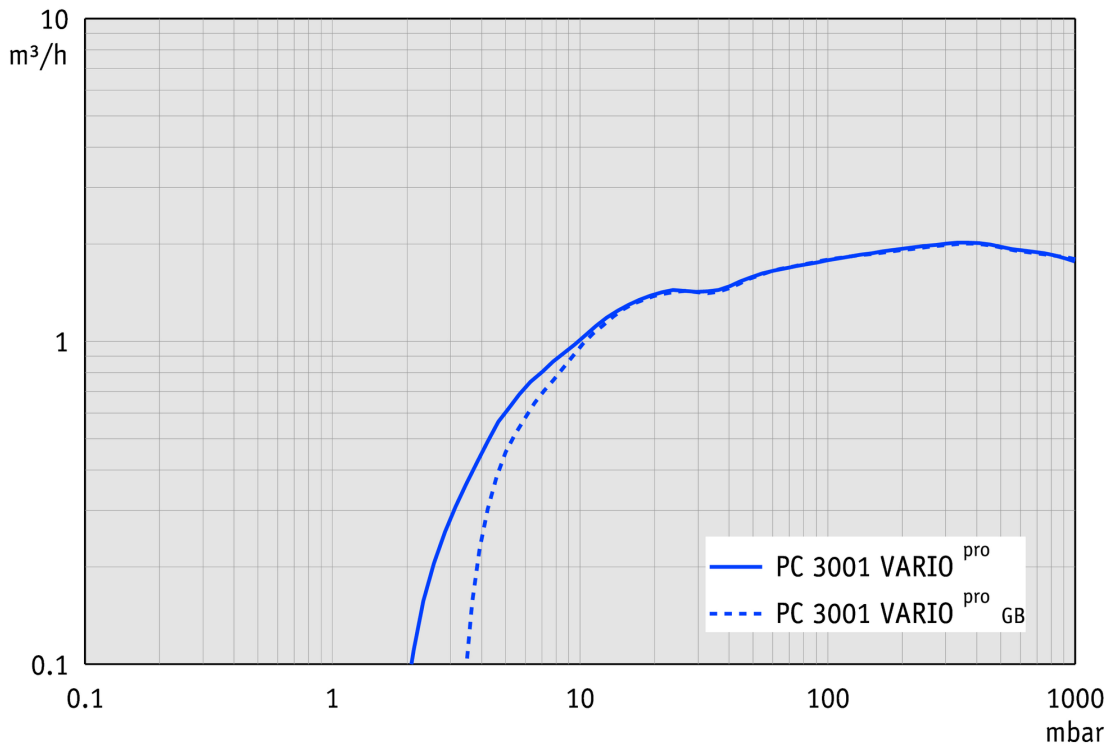
真空系统安装完毕，连接即可使用，附带说明书

配件

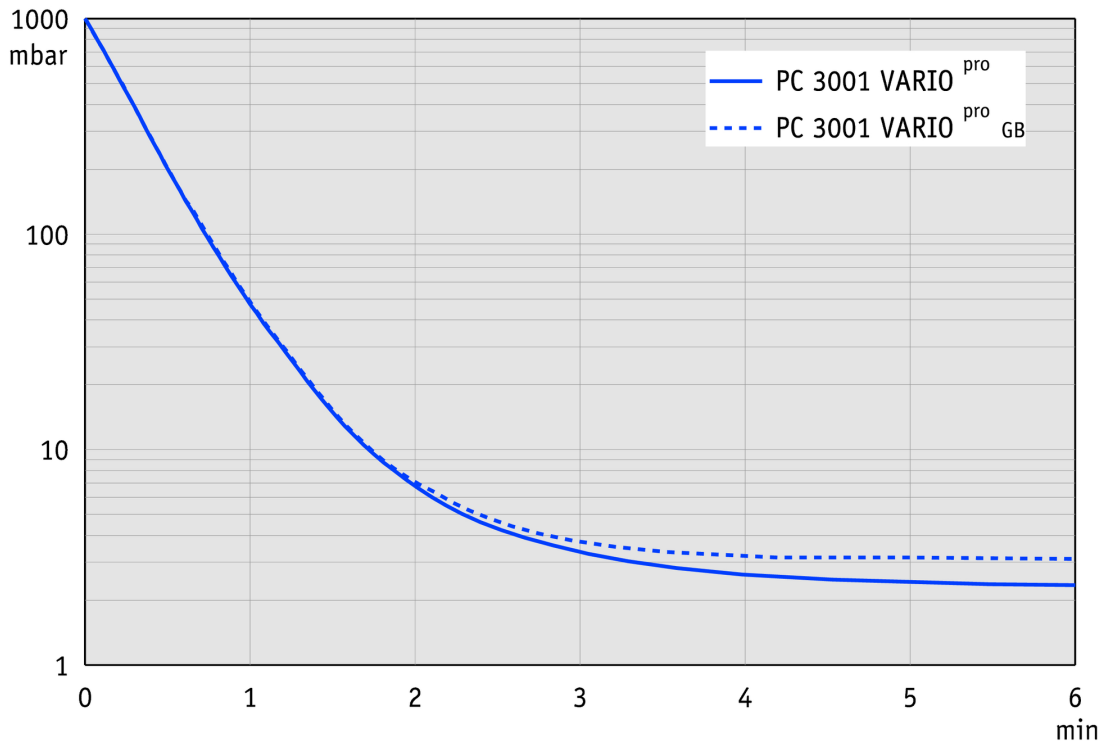
技术指标

50 Hz 最大抽速 (mbar)	2 m ³ /h
60 Hz 最大抽速 (cfm)	1.18 cfm
极限真空	2 mbar / 1.5 torr
极限真空, 使用气镇	4 mbar / 3 torr
泵头数	4
泵级数	3
真空控制器	CVC 3000
的允许环境温度范围 (运行)	10 - 40 °C
的允许环境温度范围 (存放)	-10 - 60 °C
最大出气口压力 (绝对压力)	1.1 bar
进气口连接	软管喷嘴接头 DN 6-10 mm
出气口连接	软管喷嘴接头 DN 8-10 mm
冷却液接口	2个 DN 6-8 mm 软管喷嘴接头
额定电机功率	0.16 kW
电机转速范围	200 - 3000 min ⁻¹
防护等级	IP 20
尺寸 (长x宽x高)	300 mm x 306 mm x 400 mm
重量	7.7 kg
噪音水平 50 Hz/1500 Upm/62% (VARIO)/1500 Upm (VARIO-SP)/12500 Upm (VACUU·PURE®)	42 dBA
ATEX规格	II 3/- G Ex h IIC T3 Gc X Internal Atm. only
NRTL 标准	否

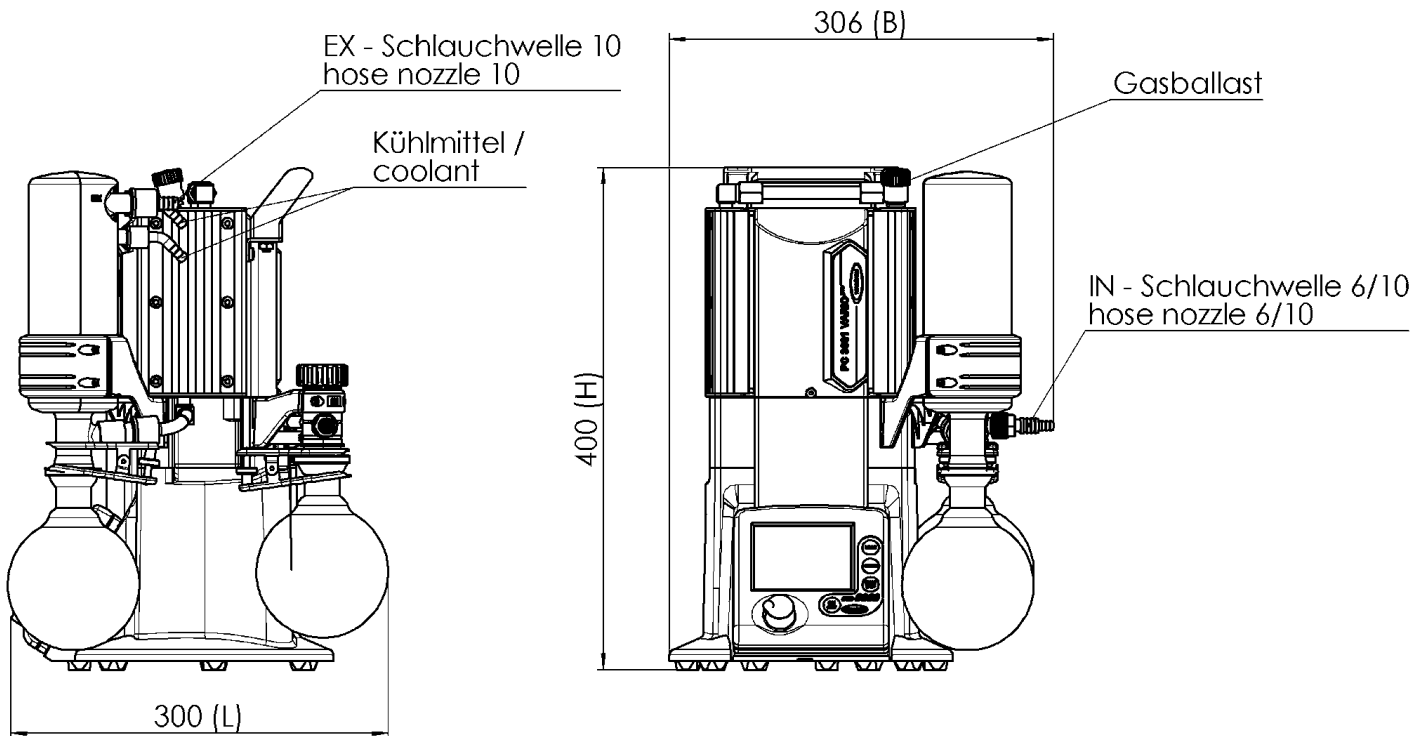
50 Hz下的抽速曲线



50 Hz下的抽气曲线 (10升容积)



尺寸规格表



VACUUBRAND PC 3001 VARIOpro
Version 2012/04/12

Alle Maße / all dimensions (mm)

VACUUBRAND GMBH + CO KG
P.O. Box 1664
97877 Wertheim
T +49 9342 808 5550
F +49 9342 808 5555

info@vacuubrand.com
www.vacuubrand.com

VACUUBRAND®

VACUUBRAND is part of the Brand group, a manufacturer of high-quality and innovative laboratory equipment and vacuum technology with a global team of approx. 1,000 employees.

With highly motivated and qualified employees, we manufacture the world's most comprehensive product family for vacuum generation, measurement and control for the rough and fine vacuum range in the laboratory.

All with one goal:

Enabling our customers to run reliable, safe and efficient processes. This is why we commit ourselves to continuous innovation, first-class performance, and outstanding quality.

Engineering excellence is central to our ability to deliver products and solutions renowned for their quality, durability, and reliability. Innovative technology, high quality materials and extensive testing deliver unmatched performance - engineered and manufactured in Germany.

Together with you, our experts will find the best solution for your application and provide you with first-class service along the way.

BRAND (Shanghai) Trading Co., Ltd.
Shanghai, China

T +86 21 6422 2318
info@brand.com.cn
china.brand.com.cn

BRAND Scientific Equipment Pvt. Ltd.
Mumbai, India

T +91 22 42957790
customersupport@brand.co.in
www.brand.co.in

BRANDTECH® Scientific, Inc.
Essex, CT. United States of America

T +1 860 767 2562
info@brandtech.com
www.brandtech.com