

# 高真空控制器套装 CVC 3000 + VACUU·VIEW extended, KF DN 25

网站链接



## 产品说明

该真空套装可以对真空度达 $10^{-3}$  mbar范围内进行真空度调节，套装包含一个CVC 3000真空控制器，一个外置VACUU·VIEW extended真空传感器，一个VW-B 15C电磁直通阀和所有必备的小法兰连接件。VACUUBRAND提供两款套装，一款适用于KF DN 16小法兰接口，例如VACUUBRAND的RE/RZ 2.5和RE/RZ 6旋片泵或RC 6化学杂交泵；另一款适用于KF DN 25小法兰接口，如我们的RE/RZ 9和RE/RZ 16旋片泵。CVC 3000通过控制外置的真空放气阀和冷却水阀等来进行真空控制。在这些套装中是通过开/关VW-B 15C直通电磁阀来进行真空调节。控制器和组件都采用VACUU·BUS®接口通信，所有组件可自动识别。

## 性能特点

- CVC 3000可控制真空度、冷凝水和放气
- 采用可旋转的飞轮按钮，操作直观，菜单清晰
- 坚固耐用的VACUU·VIEW extended真空规，具有强化学耐腐蚀性和高机器强度
- VACUU·VIEW extended 测量范围很宽，从常压到中真空 ( $10^{-3}$  mbar)
- 直通电磁阀具有非常好的化学耐腐蚀性 (C系列)

## 订购信息

产品名称	额定电源电压 工作频率	电源插头类型	订货号
CVC 3000 + VACUU-VIEW extended, KF DN 25	100-230 V   50-60 Hz	CEE/CH/UK/US/AUS/CN	20683202

## 货品配置

高真空控制套装包括：- CVC 3000真空控制器（不带内置真空传感器和放气阀），配外置VACUU-VIEW extended真空传感器和电源线 - W-B 15C KF DN 25直通电磁阀 - KF DN 25三通，DN 15mm喷嘴软管接口(PP)，卡箍和密封圈，连接即可使用，附带说明书

## 配件

- 橡胶真空管 DN 8 mm (20686001)

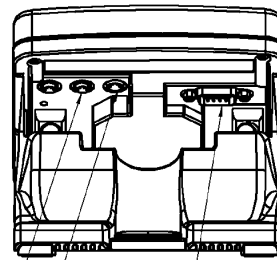
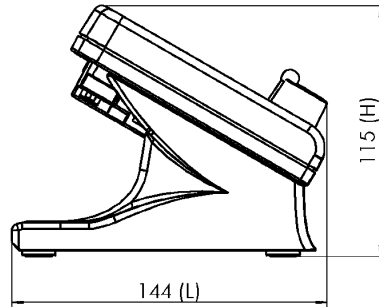
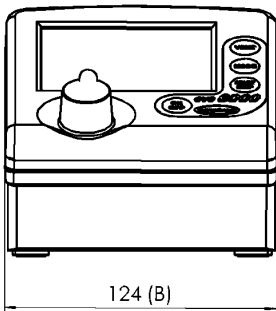
技术指标

测量范围 (mbar)	1100 - $1 \times 10^{-3}$ mbar
测量范围 (torr)	825 - $1 \times 10^{-3}$ torr
测量原理	陶瓷隔膜传感器+ 陶瓷夹套皮拉尼传感器
测量的不确定性	指示值的± 15%，在0.01-5 mbar/hPa/torr的范围内 / ±3 mbar 为 > 5 mbar
真空传感器	VACUU-VIEW extended
温度系数	± 0.2 mbar/hPa/0.15 torr /K
真空接头	KF DN 25 小法兰 / DN 15 mm 软管喷嘴接头
放气阀, 接口	否
的允许环境温度范围 (运行)	10 - 40 °C
的允许环境温度范围 (存放)	-10 - 60 °C
最大介质温度 (持续操作)	40 °C
短期内介质温度的最大值	80 °C
外壳材质	具有良好化学耐腐蚀性的坚固的塑料外壳
防护等级	IP 20
防护等级UL50E	Type 1
依据IEC 60529前面板的防护等级	IP 42
尺寸 (长x宽x高)	144 x 124 x 115 mm
重量	0.44 kg
最大阻断容量/阻断电流, 24V/VACUU-BUS®	4 A
连接电缆长度	2 m
NRTL 标准	是
通讯	RS 232C

## 尺寸规格表



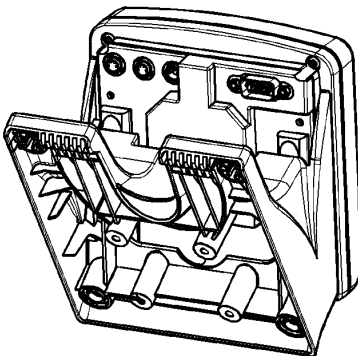
Pump not included



Anschluß VACUU-BUS  
VACUU-BUS connection

Schnittstelle /Interface  
RS 232 C  
9-pin Sub D  
male

Anschluß Netzteil  
wall power supply connection



Für Einbau, Fuß entfernen und Einbausatz 636593, bestehend aus drei Federclips plus Schrauben 3x10, montieren.  
For mounting, remove stand foot and assemble installation kit 636593, consisting of 3 clips and 3 screws 3x10.

Aussparung für Fronteinbau  
Cut-out for front assembly

Blechstärke [mm] wall thickness	Aussparung [mm] cut out
1	111,5x111,5
2	112,0x112,0
3	112,6x112,6

Gewicht / Weight: 0,44 kg  
inkl. Steckernetzteil  
incl. power supply

VACUUBRAND  
CVC 3000 ohne Sensor  
Version: 2011/07/19

VACUUBRAND GMBH + CO KG  
P.O. Box 1664  
97877 Wertheim  
T +49 9342 808 5550  
F +49 9342 808 5555

info@vacuubrand.com  
www.vacuubrand.com

**VACUUBRAND®**

VACUUBRAND is part of the Brand group, a manufacturer of high-quality and innovative laboratory equipment and vacuum technology with a global team of approx. 1,000 employees.

With highly motivated and qualified employees, we manufacture the world's most comprehensive product family for vacuum generation, measurement and control for the rough and fine vacuum range in the laboratory.

**All with one goal:**

Enabling our customers to run reliable, safe and efficient processes. This is why we commit ourselves to continuous innovation, first-class performance, and outstanding quality.

Engineering excellence is central to our ability to deliver products and solutions renowned for their quality, durability, and reliability. Innovative technology, high quality materials and extensive testing deliver unmatched performance - engineered and manufactured in Germany.

Together with you, our experts will find the best solution for your application and provide you with first-class service along the way.

BRAND (Shanghai) Trading Co., Ltd.  
Shanghai, China

T +86 21 6422 2318  
info@brand.com.cn  
china.brand.com.cn

BRAND Scientific Equipment Pvt. Ltd.  
Mumbai, India

T +91 22 42957790  
customersupport@brand.co.in  
www.brand.co.in

BRANDTECH® Scientific, Inc.  
Essex, CT. United States of America

T +1 860 767 2562  
info@brandtech.com  
www.brandtech.com