

真空吸液系统 BVC professional G

网站链接



产品说明

BioChem-VacuuCenter BVC professional 真空吸液系统，用以吸取和处理生物类液体，为处理生物和生物危害物质提供一流的舒适且安全的工作条件。配有非接触传感器，用以自动监测收集瓶内的液面，防止溢流。关闭泵后，通过消毒管路即可将消毒液吸入手柄和管路，因此可满足所需的安全规定。配4升PP瓶子的BVC professional 型号带自锁快速连接件，最大程度上降低了转移危险废物的风险和污染工作环境的风险。如果处理如氯化物等强性消毒液时，可选2升带覆膜的硼硅酸盐玻璃瓶版本。

性能特点

- 具有BVC control所有的优势
- 非接触传感器可电子监控收集瓶内的液面水平
- 关闭泵后，可通过消毒管路吸入消毒液
- 自锁快速接头（BVC professional G的附件），可方便且安全地更换收集瓶，如处理生物危害物时
- 适用于专业的工作，非常适合于需要的安全规范

订购信息

产品名称	额定电源电压 工作频率	电源插头类型	订货号
BVC professional G	230 V 50-60 Hz	CH, CN	20727501

货品配置

吸液系统装配好强劲的化学隔膜泵，收集瓶，可调的吸力控制触摸面板，非接触液面探测器，快速接头（4升PP瓶版）和VHC^{PRO}吸液手柄，连接即可使用，附带说明书

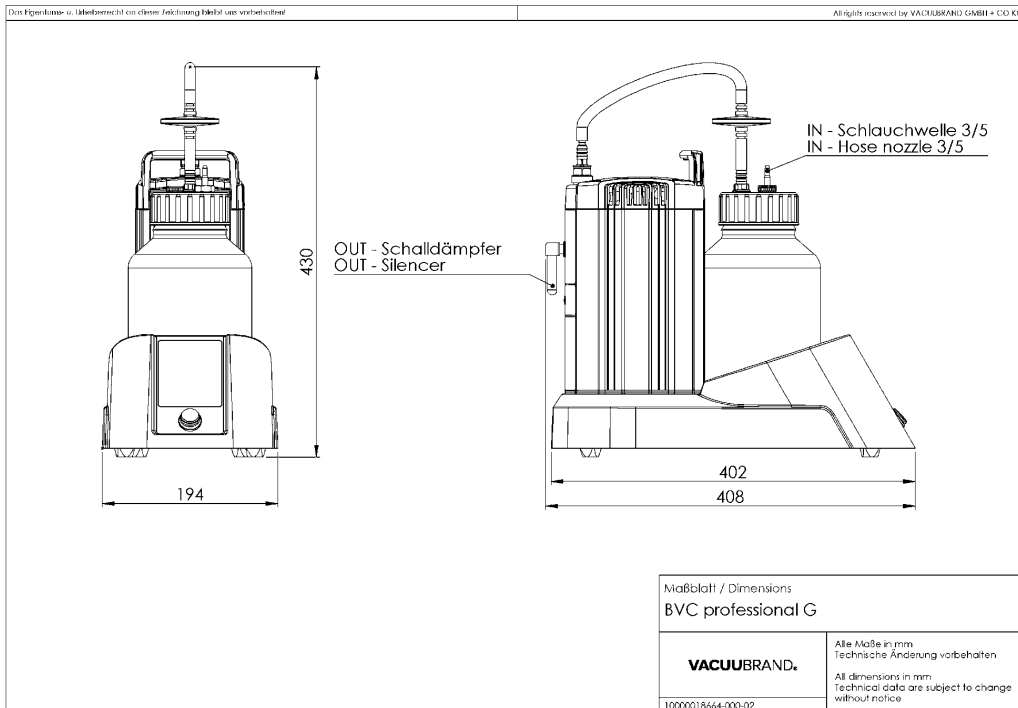
配件

- VacuuHandControl VHC^{PRO} (20688061)
- BVC 2升玻璃瓶 BVC (20635809)
- BVC (20635871)
- VHC^{PRO}吸液手柄支架 VHC^{PRO} (20635680)
- VHC^{PRO} 八道吸头适配器，带吸头脱卸按钮 BVC (20635679)
- BVC托盘 BVC shuttle (20696880)

技术指标

50 Hz 最大抽速 (真空泵)	0.7 m ³ /h
60 Hz 最大抽速 (真空泵)	0.7 cfm
极限真空	150 mbar / 112 torr
泵头数	1
泵级数	1
真空控制器	Touchpanel
收集瓶	2l Glass
的允许环境温度范围 (运行)	10 - 40 °C
的允许环境温度范围 (存放)	-10 - 60 °C
最大出气口压力 (绝对压力)	1.1 bar
进气口连接	手柄
出气口连接	DN 8 mm 软管喷嘴接头 / 消音器
额定电机功率	0.04 kW
额定转速 50/60 Hz	1500/1800 min ⁻¹
防护等级	IP 40
尺寸 (长x宽x高)	408 mm x 194 mm x 430 mm
重量	8.1 kg
噪音水平 50 Hz/1500 Upm/62% (VARIO)/1500 Upm (VARIO-SP)/12500 Upm (VACUU·PURE®)	49 dBA
NRTL 标准	否

尺寸规格表



VACUUBRAND GMBH + CO KG
P.O. Box 1664
97877 Wertheim
T +49 9342 808 5550
F +49 9342 808 5555

info@vacuubrand.com
www.vacuubrand.com

VACUUBRAND®

VACUUBRAND is part of the Brand group, a manufacturer of high-quality and innovative laboratory equipment and vacuum technology with a global team of approx. 1,000 employees.

With highly motivated and qualified employees, we manufacture the world's most comprehensive product family for vacuum generation, measurement and control for the rough and fine vacuum range in the laboratory.

All with one goal:

Enabling our customers to run reliable, safe and efficient processes. This is why we commit ourselves to continuous innovation, first-class performance, and outstanding quality.

Engineering excellence is central to our ability to deliver products and solutions renowned for their quality, durability, and reliability. Innovative technology, high quality materials and extensive testing deliver unmatched performance - engineered and manufactured in Germany.

Together with you, our experts will find the best solution for your application and provide you with first-class service along the way.

BRAND (Shanghai) Trading Co., Ltd.
Shanghai, China

T +86 21 6422 2318
info@brand.com.cn
china.brand.com.cn

BRAND Scientific Equipment Pvt. Ltd.
Mumbai, India

T +91 22 42957790
customersupport@brand.co.in
www.brand.co.in

BRANDTECH® Scientific, Inc.
Essex, CT. United States of America

T +1 860 767 2562
info@brandtech.com
www.brandtech.com