

# VARIO®化学真空系统 PC 3012 NT VARIO

网站链接



## 产品说明

VARIO®真空系统即使在接近极限真空的情况下仍有非常大的抽速，且极限真空非常好，适用于高真空需求，如用于绝大部分高沸点溶剂。通过调节隔膜泵的马达转速实现精准的真空控制。控制器可进行全自动的蒸发控制，不需要输入任何参数。该泵具有非常好的耐化学腐蚀性，几乎可在化学和制药领域通用。PC 3012 NT VARIO 真空系统基于广泛验证的运行理念，是蒸发大量溶剂的可靠之选。进气口分离瓶（AK）防止颗粒或液滴进入泵内；出气口冷凝器（EK）高效且紧凑，可实现近100%的溶剂回收效果，有效回收和对环境进行主动防护。MD 12C NT VARIO后期可以装配其他附件。

## 性能特点

- 全过程中自动调节真空度，过程稳定性高，操作过程无需过多干预
- 零波动（无滞后）的真空控制，使过程时间更短，即使针对大量蒸汽时
- 可移动的CVC 3000真空控制器，安装灵活，菜单明晰，操作简单
- 膜片寿命极长，将操作成本和维修成本降到最低
- PC 3012 NT VARIO：高效的溶剂回收系统，使其成为一款环境友好的产品，进气口缓冲瓶用于苛刻的使用环境

## 订购信息

产品名称	额定电源电压 工作频率	电源插头类型	订货号
PC 3012 NT VARIO	200-230 V   50-60 Hz	CEE	20743800
PC 3012 NT VARIO	200-230 V   50-60 Hz	CH, CN	20743801
PC 3012 NT VARIO	200-230 V   50-60 Hz	UK, IN	20743802
PC 3012 NT VARIO	100-120 V   50-60 Hz	US	20743803

## 货品配置

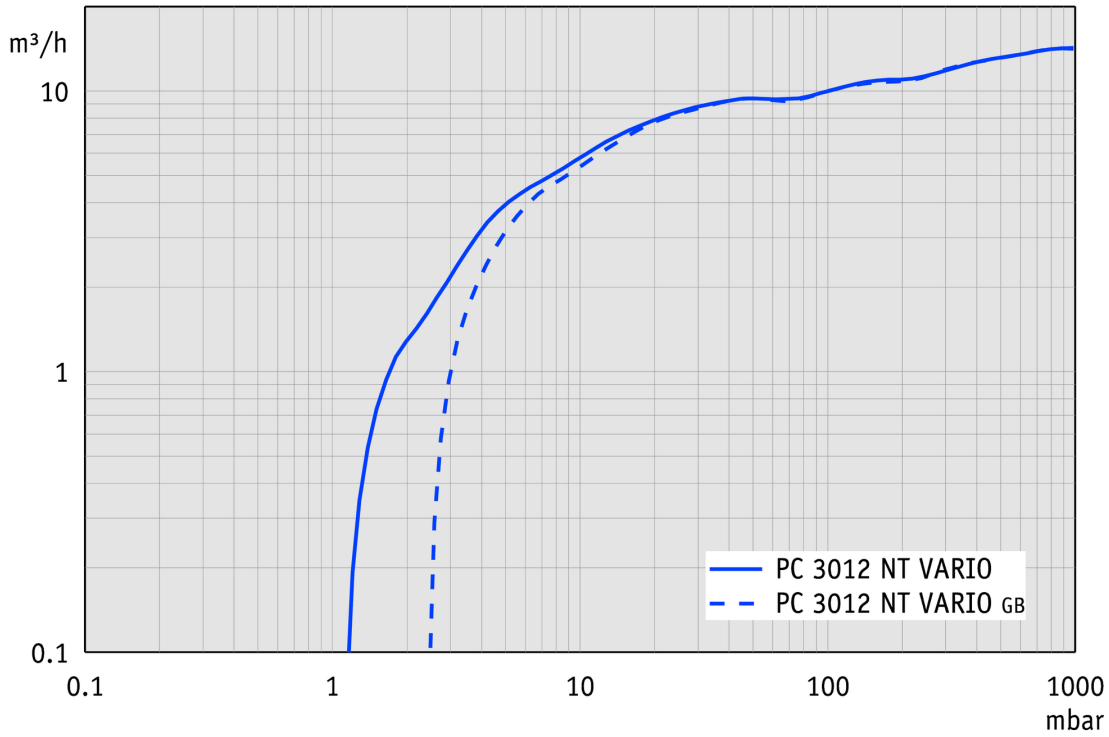
真空系统安装完毕, 连接即可使用, 附带说明书

## 配件

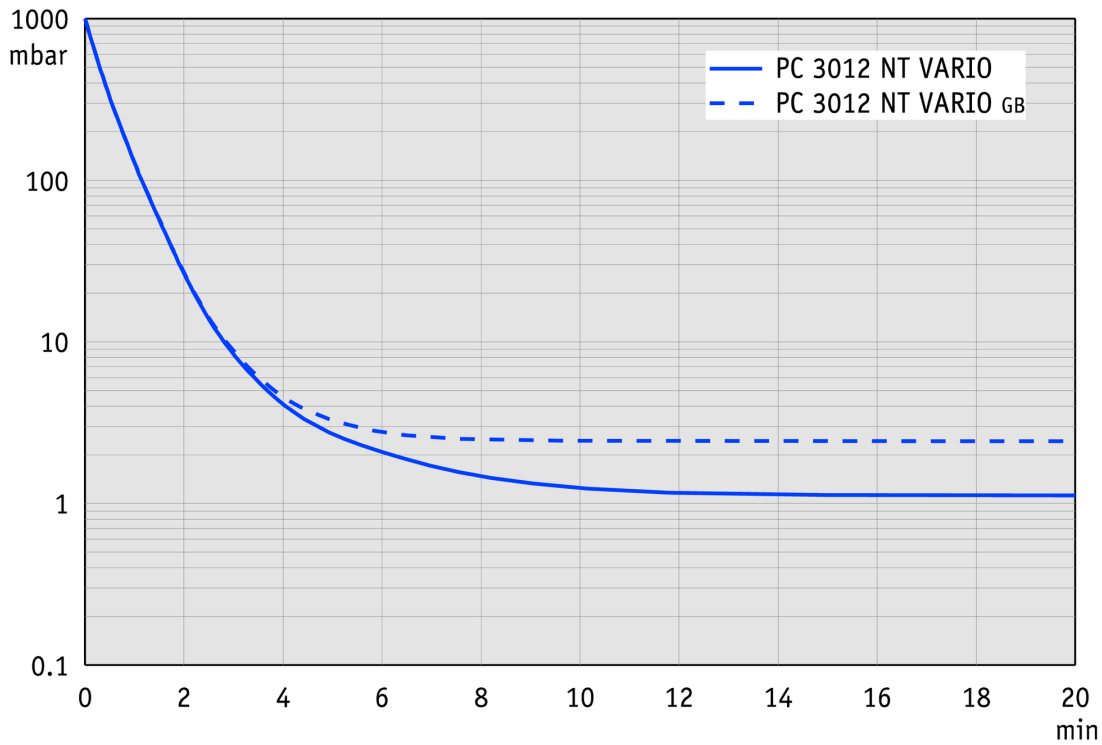
## 技术指标

50 Hz 最大抽速 (mbar)	14.3 m <sup>3</sup> /h
60 Hz 最大抽速 (cfm)	8.4 cfm
极限真空	1.5 mbar / 1.1 torr
极限真空, 使用气镇	3 mbar / 2.2 torr
泵头数	8
泵级数	3
真空控制器	CVC 3000
的允许环境温度范围 (运行)	10 - 40 °C
的允许环境温度范围 (存放)	-10 - 60 °C
最大出气口压力 (绝对压力)	1.1 bar
进气口连接	KF DN 25 小法兰 / DN 15 mm 软管喷嘴接头
出气口连接	软管喷嘴接头 DN 8-10 mm
冷却液接口	2个 DN 6-8 mm 软管喷嘴接头
额定电机功率	0.53 kW
电机转速范围	30 - 2400 min <sup>-1</sup>
防护等级	IP 40
尺寸 (长x宽x高)	616 mm x 387 mm x 420 mm
重量	29.7 kg
噪音水平 50 Hz/1500 Upm/62% (VARIO)/1500 Upm (VARIO-SP)/12500 Upm (VACUU·PURE®)	47 dBA
NRTL 标准	否

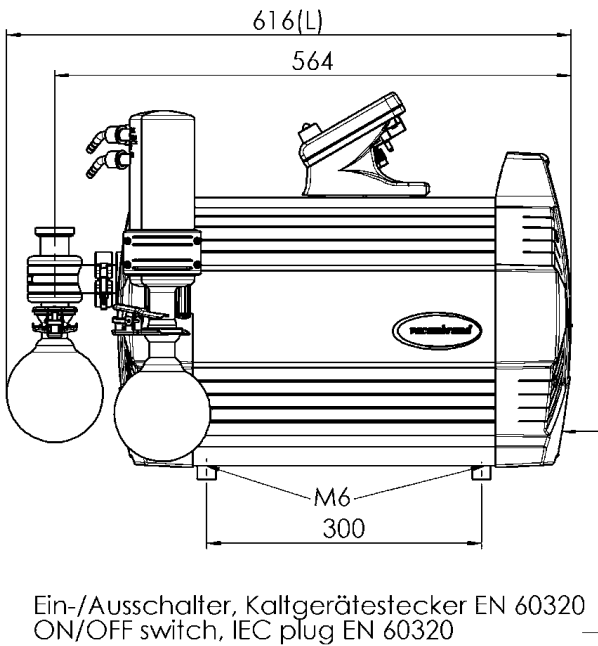
50 Hz下的抽速曲线



50 Hz下的抽气曲线 (100升容积)

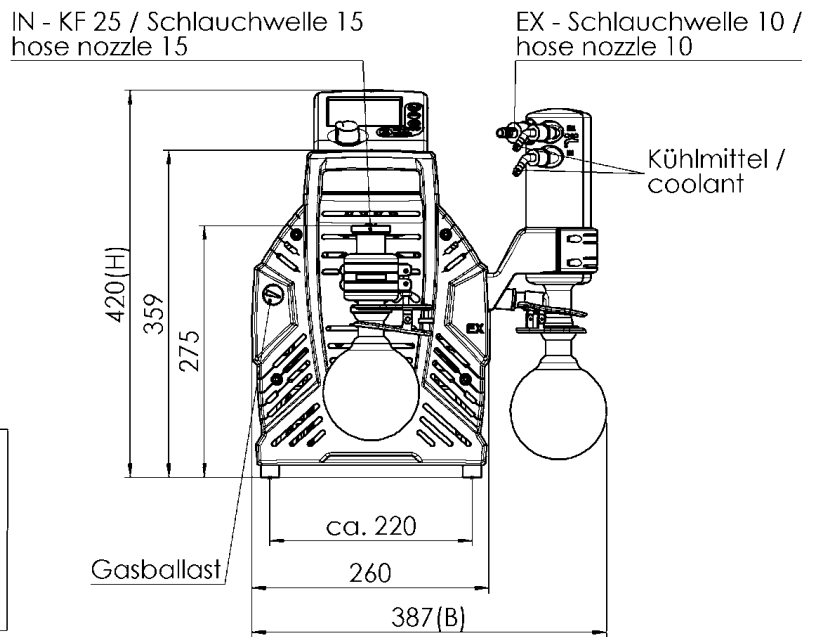


尺寸规格表



Ein-/Ausschalter, Kaltgerätestecker EN 60320  
ON/OFF switch, IEC plug EN 60320

Alle Maße / all dimensions (mm)



VACUUBRAND PC 3010 NT VARIO, PC 3012 NT VARIO, PC 3016 NT VARIO  
Version 2012/04/23

VACUUBRAND GMBH + CO KG  
P.O. Box 1664  
97877 Wertheim  
T +49 9342 808 5550  
F +49 9342 808 5555

info@vacuubrand.com  
www.vacuubrand.com

**VACUUBRAND®**

VACUUBRAND is part of the Brand group, a manufacturer of high-quality and innovative laboratory equipment and vacuum technology with a global team of approx. 1,000 employees.

With highly motivated and qualified employees, we manufacture the world's most comprehensive product family for vacuum generation, measurement and control for the rough and fine vacuum range in the laboratory.

**All with one goal:**

Enabling our customers to run reliable, safe and efficient processes. This is why we commit ourselves to continuous innovation, first-class performance, and outstanding quality.

Engineering excellence is central to our ability to deliver products and solutions renowned for their quality, durability, and reliability. Innovative technology, high quality materials and extensive testing deliver unmatched performance - engineered and manufactured in Germany.

Together with you, our experts will find the best solution for your application and provide you with first-class service along the way.

BRAND (Shanghai) Trading Co., Ltd.  
Shanghai, China

T +86 21 6422 2318  
info@brand.com.cn  
china.brand.com.cn

BRAND Scientific Equipment Pvt. Ltd.  
Mumbai, India

T +91 22 42957790  
customersupport@brand.co.in  
www.brand.co.in

BRANDTECH® Scientific, Inc.  
Essex, CT. United States of America

T +1 860 767 2562  
info@brandtech.com  
www.brandtech.com