

螺杆泵

VACUU·PURE 10

[网站链接](#)

产品说明

从常压至 10^{-3} mbar真空范围内，干式螺杆泵VACUU·PURE® 10具备可靠无油真空技术的优势。对用户而言，新型真空泵具备三个重要优点：100%无油，无磨损并且无易损件。对于需要干燥、无碳氢化合物污染、过程洁净的应用，VACUU·PURE 10是理想选择。转轴运行过程中零接触，因此没有摩擦，无颗粒物产生且无易件。VACUU·PURE对于适用于需求压力低至 10^{-3} mbar的应用，与其他中真空技术不同，它可在常压至极限真空全压力段连续运行，对较大的容积体系抽气至 10^{-3} mbar，单泵即可实现，无需其他真空泵辅助。VACUU·PURE通过其优异的冷凝液兼容性，轻松处理大量蒸汽，无需气镇阀，并因此避免了由于气镇带来的泵抽速降低及噪声增加等缺点。与其他泵不同，在实验过程结束后，VACUU·PURE的再生模式可使泵迅速干燥，有利于提高样品处理量。

性能特点

- 常压至 10^{-3} mbar 真空范围
- 100%无油
- 无磨损
- 无易损件

订购信息

产品名称	额定电源电压 工作频率	电源插头类型	订货号
VACUU·PURE 10	100-230 V 50-60 Hz	IN	20750007

货品配置

完全安装好的泵，随时使用，用KF DN 25 小法兰连接，含操作手册。

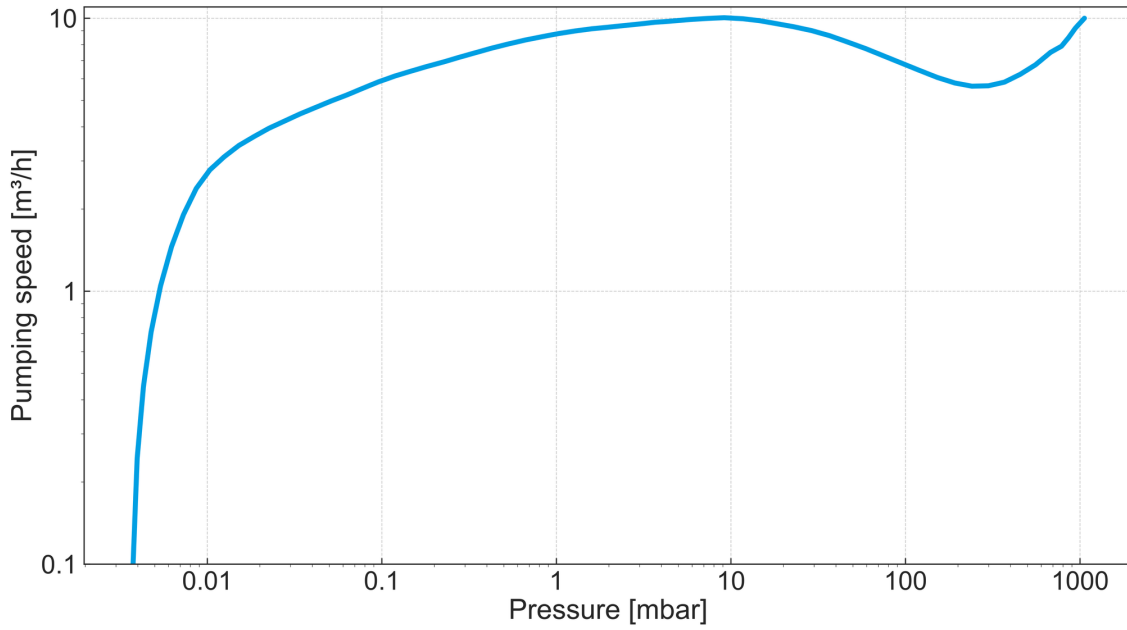
配件

- VACUU·PURE shuttle (20751800)
- 小法兰的中心支架 KF DN 20/25 (20660001)
- 小法兰外齐式环形中心支架 KF DN 10/16 (20660195)
- Silencer, KF DN 25 (20750801)
- 带软管喷嘴接头的小法兰 KF DN 25 / DN 15 mm (20662519)
- 带小法兰的金属真空管 KF DN 25 (20673337)
- 带小法兰的弯管 KF DN 25/25 (20669405)
- Tubing PVC, 26/19 mm (20686056)
- VACUU·BUS®数字-I/O-模块 VACUU·BUS® (20636228)
- VACUU·BUS / USB 升级套件 VACUU·BUS® (20683230)

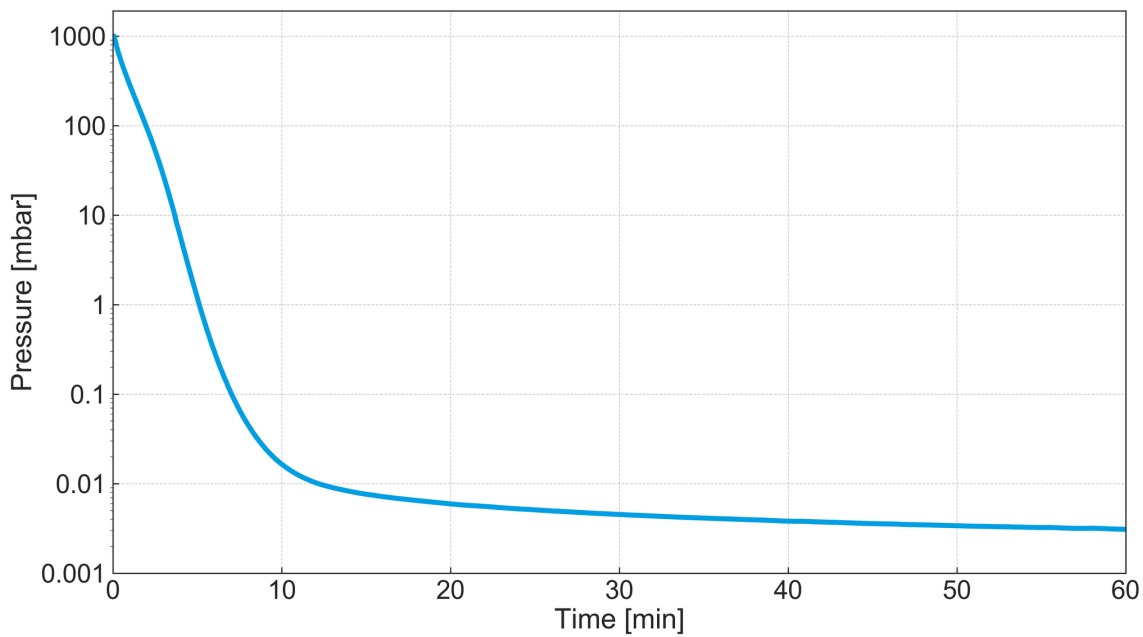
技术指标

50 Hz 最大抽速 (mbar)	10 m ³ /h
极限真空	5 x 10 ⁻³ mbar / 3.8 x 10 ⁻³ torr
真空控制器	无控制器
的允许环境温度范围 (运行)	10 - 40 °C
的允许环境温度范围 (存放)	-10 - 60 °C
最大出气口压力 (绝对压力)	15 mbar 高于常压 bar
进气口连接	KF DN 25 小法兰
出气口连接	KF DN 25 小法兰
额定电机功率	0.7 kW
额定转速 50/60 Hz	12500 min ⁻¹
防护等级	IP 20
尺寸 (长x宽x高)	507 mm x 269 mm x 413 mm
重量	21.1 kg
噪音水平 50 Hz/1500 Upm/62% (VARIO)/1500 Upm (VARIO-SP)/12500 Upm (VACUU-PURE®)	52 dBA
NRTL 标准	是
通讯	VACUU-BUS: Modbus RTU

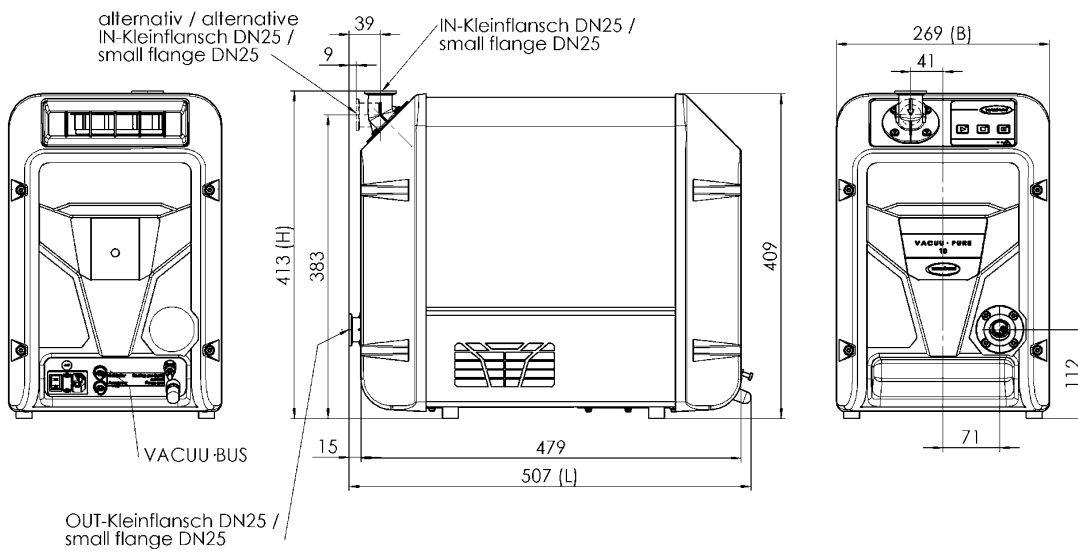
50 Hz下的抽速曲线



50 Hz下的抽气曲线 (100升容积)



尺寸规格表



Alle Maße / all dimensions (mm)
Gewicht / weight: 21,1 kg

VACUUBRAND VACUU-PURE 10
Version 02

VACUUBRAND GMBH + CO KG
P.O. Box 1664
97877 Wertheim
T +49 9342 808 5550
F +49 9342 808 5555

info@vacuubrand.com
www.vacuubrand.com

VACUUBRAND®

VACUUBRAND is part of the Brand group, a manufacturer of high-quality and innovative laboratory equipment and vacuum technology with a global team of approx. 1,000 employees.

With highly motivated and qualified employees, we manufacture the world's most comprehensive product family for vacuum generation, measurement and control for the rough and fine vacuum range in the laboratory.

All with one goal:

Enabling our customers to run reliable, safe and efficient processes. This is why we commit ourselves to continuous innovation, first-class performance, and outstanding quality.

Engineering excellence is central to our ability to deliver products and solutions renowned for their quality, durability, and reliability. Innovative technology, high quality materials and extensive testing deliver unmatched performance - engineered and manufactured in Germany.

Together with you, our experts will find the best solution for your application and provide you with first-class service along the way.

BRAND (Shanghai) Trading Co., Ltd.
Shanghai, China

T +86 21 6422 2318
info@brand.com.cn
china.brand.com.cn

BRAND Scientific Equipment Pvt. Ltd.
Mumbai, India

T +91 22 42957790
customersupport@brand.co.in
www.brand.co.in

BRANDTECH® Scientific, Inc.
Essex, CT. United States of America

T +1 860 767 2562
info@brandtech.com
www.brandtech.com