

Complete controller built-in version VACUU·SELECT

[Link to the website](#)



Product description

The VACUU·SELECT complete controller provides enhanced process efficiency to applications supported by a vacuum source such as a basic pump or a powerful vacuum network. The VACUU·SELECT controller has you covered. Use manual set-point-control for simple processes, run pre-defined applications at the touch of a button, or create your own application with simple drag-and-drop editing. The controller is available as a benchtop unit, ready for mounting on lab scaffolding, or as a built-in version for lab casework. The integrated controller includes the VACUU·SELECT vacuum controller, a check valve, and a chemical-resistant solenoid isolation valve. The ceramic vacuum sensor and venting valve are built right into the body of the VACUU·SELECT controller. The compact unit is easy to install and setup. With its intuitive, application-based interface, the controller offers predefined vacuum processes for all common laboratory applications. In the case of solvent evaporation, it detects the boiling pressure and then holds the pressure level stable using two-point control.

Performance features

- supplied complete and ready for use, including integrated valve and common hose connections
- predefined vacuum applications and automatic boiling point detection saves time
- simple setup - connect VACUU·SELECT in-line between pump and vacuum application
- integrated vent valve allows inert gas connection
- integrated check valve minimizes interaction with other applications on the same vacuum supply

Ordering data

Product name	Nominal mains voltage mains frequency	Plug type	Articleno.
VACUU-SELECT	100-230 V 50-60 Hz	CEE/CH/UK/US/AUS/CN	20700060

Items supplied

VACUU-SELECT complete controller build-in version, for VACUU-LAN work stations, with solenoid valve, non-return valve, integrated ceramic diaphragm vacuum sensor and venting valve. With power supply, ready to use, with manual.

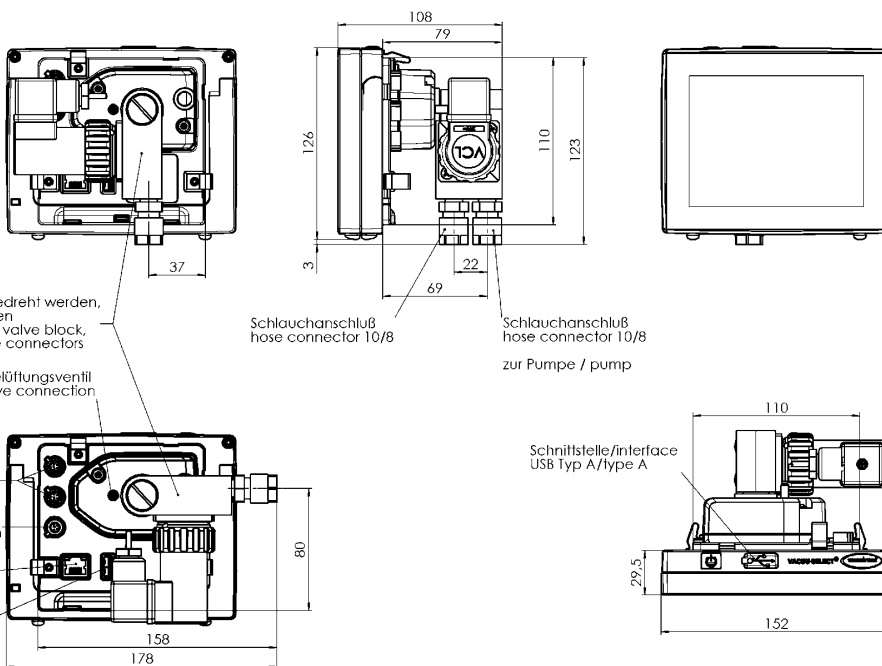
Accessories

- Function extension for VACUU-SELECT controller VACUU-SELECT User Management (20700900)
- Rubber vacuum tubing DN 8 mm (20686001)

Technical data

Measuring range (mbar)	1080 - 0.1 mbar
Measuring range (torr)	810 - 0.1 torr
Measurement principle	Ceramic diaphragm (alumina), capacitive, gas indep., absolute pressure
Accuracy of measurement	< +/- 1 mbar/hPa/torr / +/- 1 digit (after adjustment, constant temp.)
Vacuum sensor	VACUU-SELECT Sensor
Temperature coefficient	< 0.15 mbar/hPa/0.11 torr /K
Vacuum sensor connection	PTFE tubing connection 10/8 mm
Venting valve, connection	Integrated, hose nozzle DN 4-5 mm
Permissible ambient temperature range (operation)	10 - 40 °C
Permissible ambient temperature range (storage)	-10 - 60 °C
Max. media temperature (continuous operation)	40 °C
Max. media temperature for short times	80 °C
Material of outer housing	Robust plastic housing with good chemical resistance
Protection class IEC 60529	IP 40
Protection class UL50E	Type 1
Protection class of front side according to IEC 60529	IP 41
Protection class of front side according to UL50E	Type 2
Dimensions (L x W x H)	152 x 126 x 108 mm
Weight	1.3 kg
Max. breaking capacity / breaking current 24V/VACUU-BUS®	4 A
Cable length connection	2 m
ATEX conformity	II 3/- G Ex h IIC T4 Gc X Internal Atm. only
NRTL certification	Yes
Interface	Ethernet (RJ45): Modbus TCP / USB (Type A): Data transfer, software update, RS-232 (additional adapter required)

Dimension sheet



Ausparung für Fronteinbau
cut-out dimensions for front installation

Gewicht / Weight: 1,3kg
inkl. Steckernetzteil
incl. power supply

Blechstärke [mm] panel thickness [mm]	Ausparung [mm] cut-out dimensions [mm]
1	111,5x111,5
2	112,0x112,0
3	112,6x112,6

VACUUBRAND VACUU-SELECT Einbau
Version 2018/04/03

VACUUBRAND GMBH + CO KG
P.O. Box 1664
97877 Wertheim
T +49 9342 808 5550
F +49 9342 808 5555

info@vacuubrand.com
www.vacuubrand.com

VACUUBRAND®

VACUUBRAND is part of the Brand group, a manufacturer of high-quality and innovative laboratory equipment and vacuum technology with a global team of approx. 1,000 employees.

With highly motivated and qualified employees, we manufacture the world's most comprehensive product family for vacuum generation, measurement and control for the rough and fine vacuum range in the laboratory.

All with one goal:

Enabling our customers to run reliable, safe and efficient processes. This is why we commit ourselves to continuous innovation, first-class performance, and outstanding quality.

Engineering excellence is central to our ability to deliver products and solutions renowned for their quality, durability, and reliability. Innovative technology, high quality materials and extensive testing deliver unmatched performance - engineered and manufactured in Germany.

Together with you, our experts will find the best solution for your application and provide you with first-class service along the way.

BRAND (Shanghai) Trading Co., Ltd.
Shanghai, China

T +86 21 6422 2318
info@brand.com.cn
china.brand.com.cn

BRAND Scientific Equipment Pvt. Ltd.
Mumbai, India

T +91 22 42957790
customersupport@brand.co.in
www.brand.co.in

BRANDTECH® Scientific, Inc.
Essex, CT. United States of America

T +1 860 767 2562
info@brandtech.com
www.brandtech.com