

# Chemistry pumping unit PC 611 select

[Link to the website](#)



## Product description

This chemistry vacuum pumping unit is an economic space-saving solution for simultaneous operation of two independent vacuum applications with one single pump. Based on our popular MD 4C NT three-stage chemistry diaphragm pump, the PC 611 select is frequently used for vacuum applications involving even high boiling point solvents. This pump has sufficient capacity for parallel operation of two demanding applications. One application is controlled by the VACUUSELECT vacuum controller an electronic solenoid valve. The second application is controlled by a manually controlled diaphragm valve. Both vacuum ports have integrated check valves to protect against cross contamination and interference. The integrated VACUU-SELECT controller provides an easy-to-use, application based interface that covers all common lab applications. The VACUU-SELECT controller has you covered. Use manual set-point-control for simple processes, run distillations, or create your own application with simple drag-and-drop editing. For solvent evaporation, it detects the boiling pressure and switches to 2 point control mode to hold the pressure stable when a boiling point is detected. The inlet separator, made of glass with a robust protective coating, prevents particles and liquid droplets from entering the pump, preventing damage and extending pump life. And the exhaust vapor condenser allows for nearly complete recovery of solvents when used with a chilled water line or recirculating chiller for economical recycling and environmental protection.

## Performance features

- VACUU-SELECT vacuum controller with graphical user interface simplifies work in the laboratory
- predefined applications save time and give reproducible results
- easy-to-use application editor allows own process sequences
- meets high vacuum requirements for most high boiling solvents
- PC 611 select allows simultaneous operation of two independent vacuum applications

## Ordering data

Product name	Nominal mains voltage   mains frequency	Plug type	Articleno.
PC 611 select	230 V   50-60 Hz	IN	20737257

## Items supplied

Pumping unit completely mounted, ready for use, with manual.

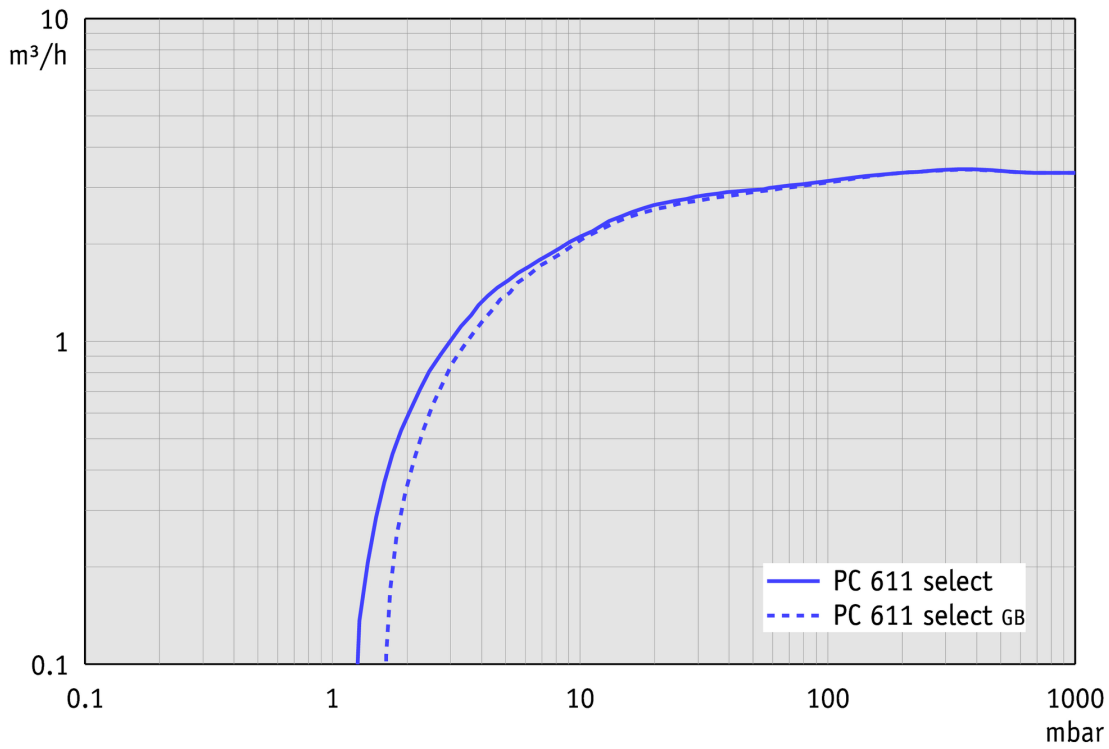
## Accessories

- Function extension for VACUU-SELECT controller VACUU-SELECT User Management (20700900)
- Silencer with hose 5cm DN 8-10mm (20636588)
- Upgrade kit manometer for vacuum systems NT SYNCHRO NT SYNCHRO Vakuumsysteme (20699907)
- Rubber vacuum tubing DN 8 mm (20686001)
- Fluid level sensor for round bottom flask 500 ml 500 ml (20699908)
- Cooling water valve VKW-B (20674220)

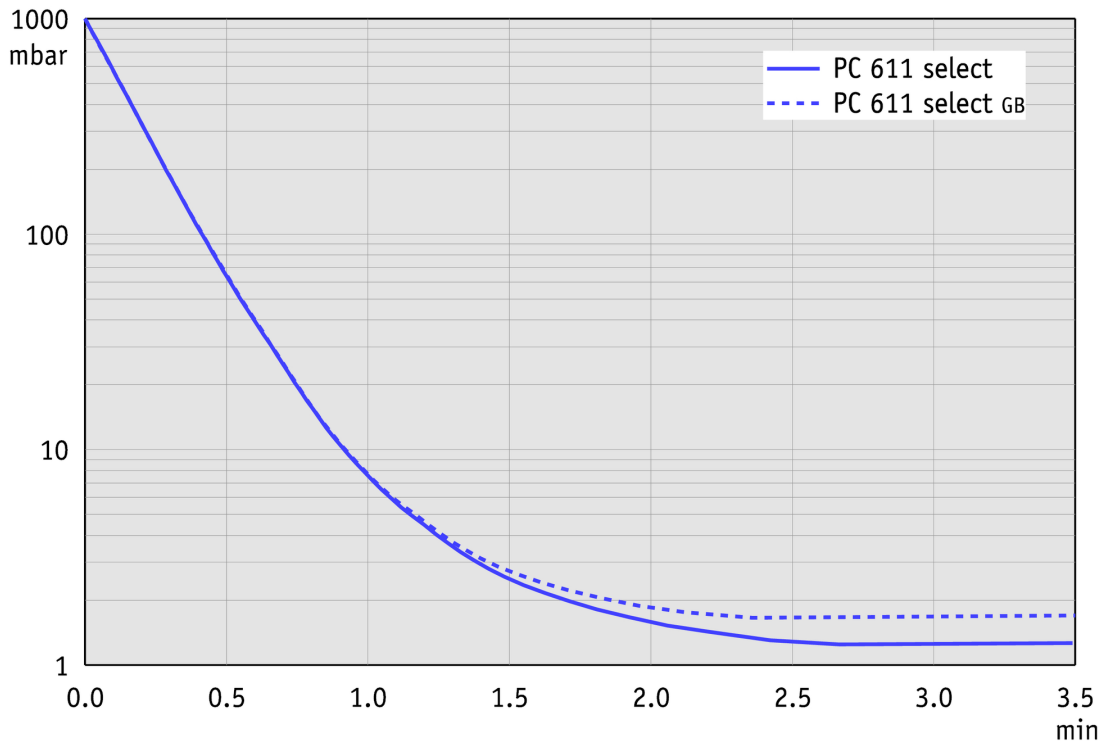
## Technical data

Max. pumping speed 50 Hz (mbar)	3.4 m <sup>3</sup> /h
Max. pumping speed 60 Hz (cfm)	2.2 cfm
Ultimate vacuum	1.5 mbar / 1.1 torr
Ultimate vacuum with gas ballast	3 mbar / 2.2 torr
Number of heads	4
Number of stages	3
Vacuum controller	VACUU·SELECT
Permissible ambient temperature range (operation)	10 - 40 °C
Permissible ambient temperature range (storage)	-10 - 60 °C
Max. outlet pressure (abs.)	1.1 bar
Inlet connection	2 x hose nozzle DN 8-10 mm
Outlet connection	Hose nozzle DN 8-10 mm
Coolant connection	2 x hose nozzle DN 6-8 mm
Rated motor power	0.25 kW
Rated speed 50/60 Hz	1500/1800 min <sup>-1</sup>
Protection class IEC 60529	IP 20
Dimensions (L x W x H)	435 mm x 243 mm x 457 mm
Weight	20.6 kg
Noise (sound pressure level) in dBA at 50 Hz or 1500 rpm/62% (VARIO)/1500 rpm (VARIO-SP)/12500 Upm (VACUU·PURE®)	45 dBA
ATEX conformity	II 3/- G Ex h IIC T3 Gc X Internal Atm. only
NRTL certification	No
Interface	Ethernet (RJ45): Modbus TCP / USB (Type A): Data transfer, software update, RS-232 (additional adapter required)

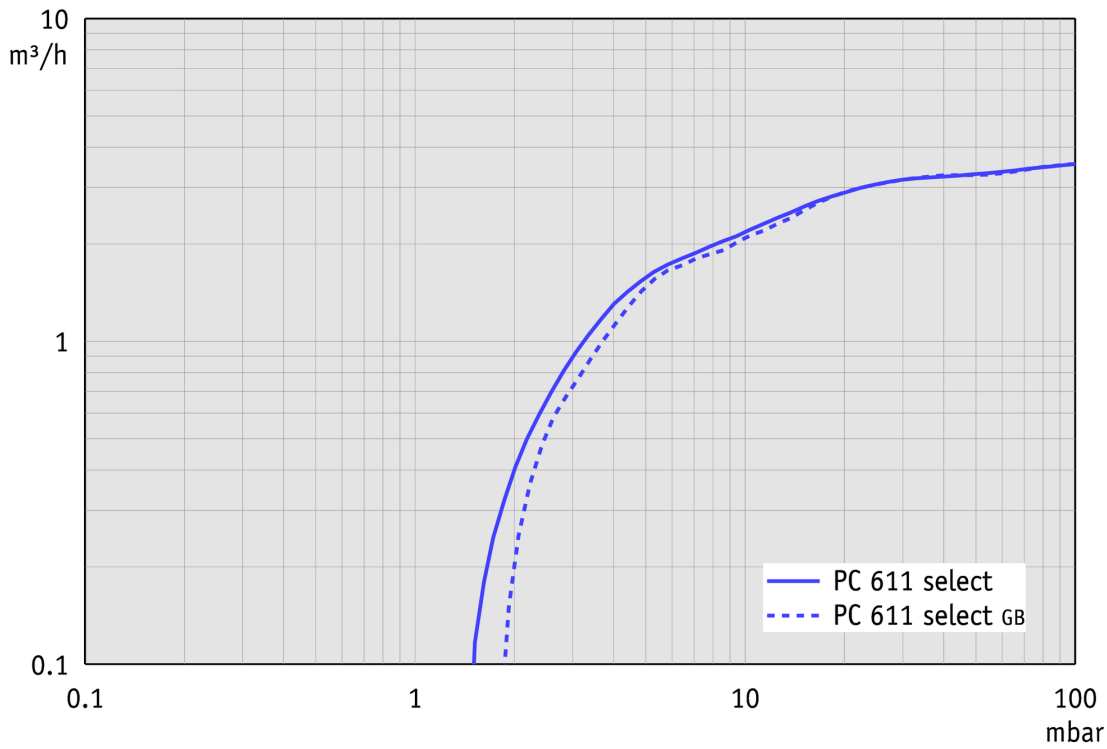
Pumping speed graph at 50 Hz



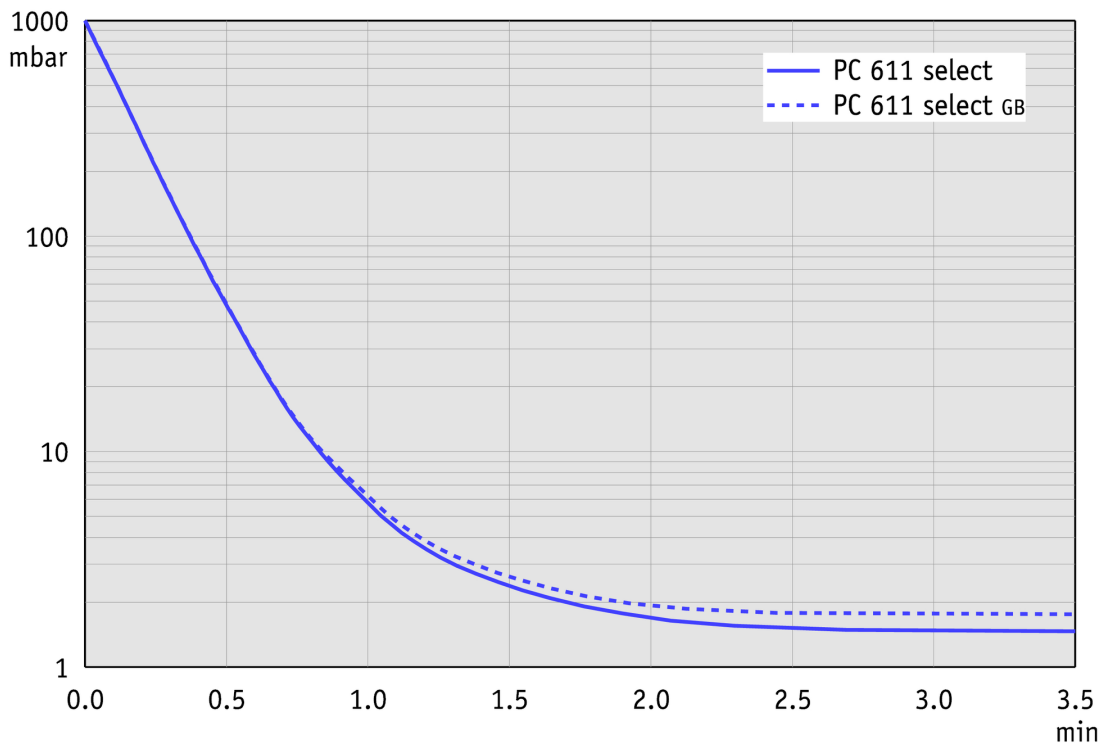
Pump down graph at 50 Hz (10 l volume)



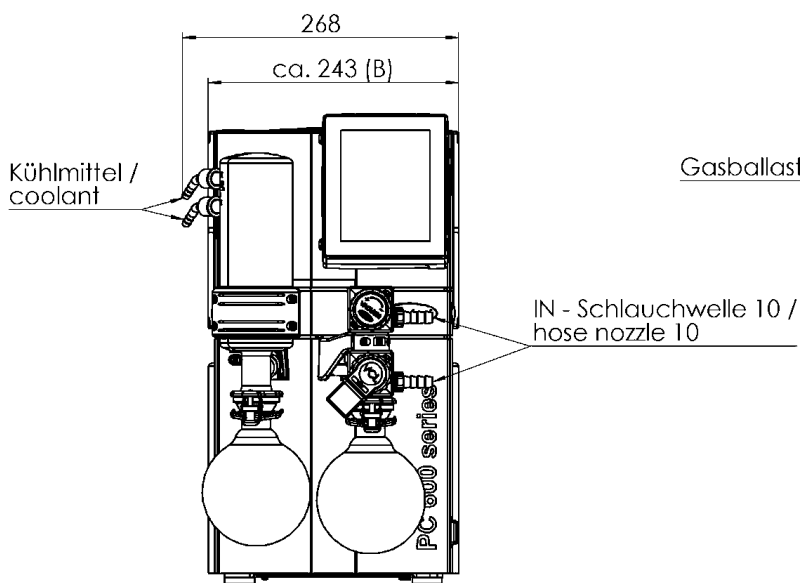
Pumping speed graph at 60 Hz



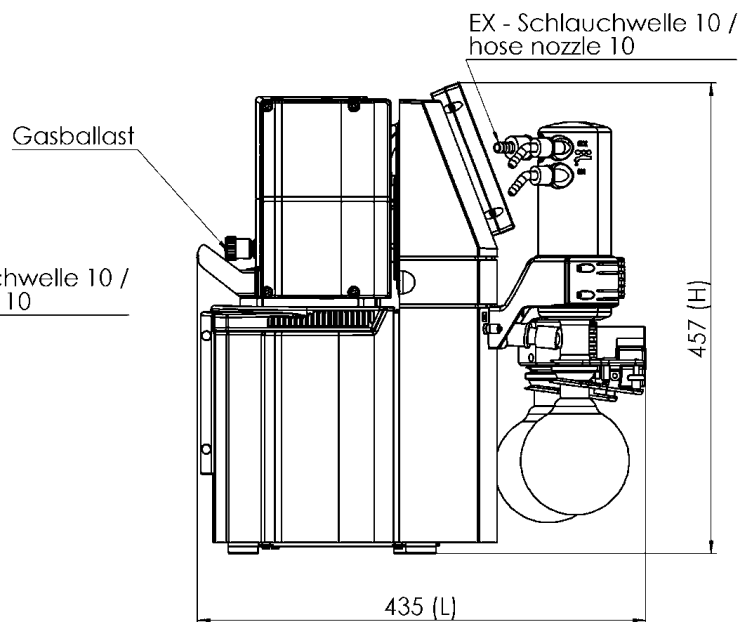
Pump down graph at 60 Hz (10 l volume)



Dimension sheet



Alle Maße / all dimensions (mm)  
Gewicht / weight: ca.20,6 kg



VACUUBRAND PC 611 select  
Version 2017/09/05

VACUUBRAND GMBH + CO KG  
P.O. Box 1664  
97877 Wertheim  
T +49 9342 808 5550  
F +49 9342 808 5555

info@vacuubrand.com  
www.vacuubrand.com

**VACUUBRAND®**

VACUUBRAND is part of the Brand group, a manufacturer of high-quality and innovative laboratory equipment and vacuum technology with a global team of approx. 1,000 employees.

With highly motivated and qualified employees, we manufacture the world's most comprehensive product family for vacuum generation, measurement and control for the rough and fine vacuum range in the laboratory.

**All with one goal:**

Enabling our customers to run reliable, safe and efficient processes. This is why we commit ourselves to continuous innovation, first-class performance, and outstanding quality.

Engineering excellence is central to our ability to deliver products and solutions renowned for their quality, durability, and reliability. Innovative technology, high quality materials and extensive testing deliver unmatched performance - engineered and manufactured in Germany.

Together with you, our experts will find the best solution for your application and provide you with first-class service along the way.

BRAND (Shanghai) Trading Co., Ltd.  
Shanghai, China

T +86 21 6422 2318  
info@brand.com.cn  
china.brand.com.cn

BRAND Scientific Equipment Pvt. Ltd.  
Mumbai, India

T +91 22 42957790  
customersupport@brand.co.in  
www.brand.co.in

BRANDTECH® Scientific, Inc.  
Essex, CT. United States of America

T +1 860 767 2562  
info@brandtech.com  
www.brandtech.com