

VARIO® chemistry pumping unit PC 3002 VARIO select

[Link to the website](#)



Product description

The PC 3002 VARIO select pumping unit precisely controls the vacuum level in order to achieve unparalleled process control. This two stage MZ 2C VARIO pump at the core of the PC 3002 VARIO is suitable for work with most common solvents. The integrated VACUU-SELECT controller provides an easy-to-use, application based interface that covers all common lab applications. The VACUU-SELECT controller has you covered. Use manual set-point-control for simple processes, run fully automated distillations, or create your own application with simple drag-and-drop editing. For solvent evaporation, the VACUU-SELECT controller detects the boiling point and automatically adjusts the vacuum process as necessary. The application, desired vacuum, and other parameters can also be combined or controlled individually. The pump runs only as fast as necessary due to the VARIO control. This extends the maintenance intervals and makes the pumping unit whisper-quiet. The inlet separator, made of glass with protective coating, prevents particles and liquid droplets from entering the pump. The exhaust vapor condenser provides nearly 100% recovery of solvents for economical recycling and environmental protection.

Performance features

- VACUU-SELECT vacuum controller with graphical user interface and predefined applications simplifies work in the laboratory
- automatic boiling point detection and adjustment of the vacuum for short process times
- compact and efficient, good ultimate vacuum even with open gas ballast valve
- very quiet, low-vibration operation and extra long service intervals
- excellent environmental compatibility through low energy consumption and efficient solvent recovery

Ordering data

Product name	Nominal mains voltage mains frequency	Plug type	Articleno.
PC 3002 VARIO select	200-230 V 50-60 Hz	CH	20733551

Items supplied

Pumping unit completely mounted, ready for use, with manual.

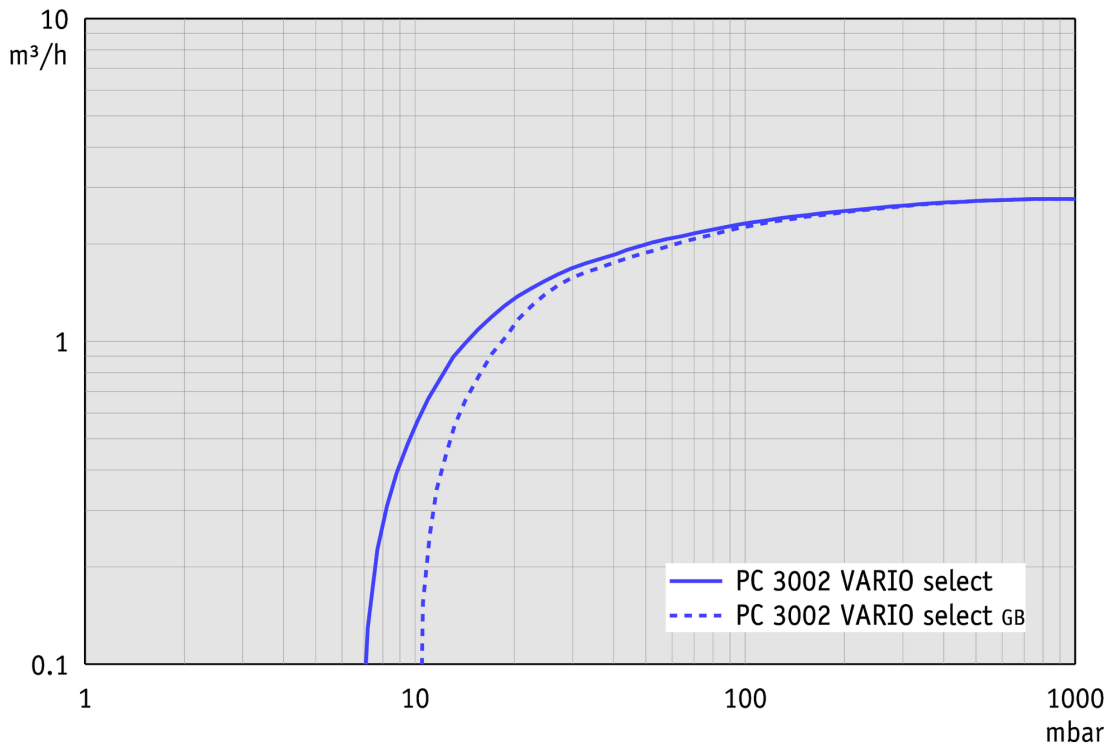
Accessories

- Function extension for VACUU-SELECT controller VACUU-SELECT User Management (20700900)
- Rubber vacuum tubing DN 8 mm (20686001)
- VACUU-LAN® module Einstellwinkel 90° (20637873)
- Fluid level sensor for round bottom flask 500 ml 500 ml (20699908)
- Cooling water valve VKW-B (20674220)

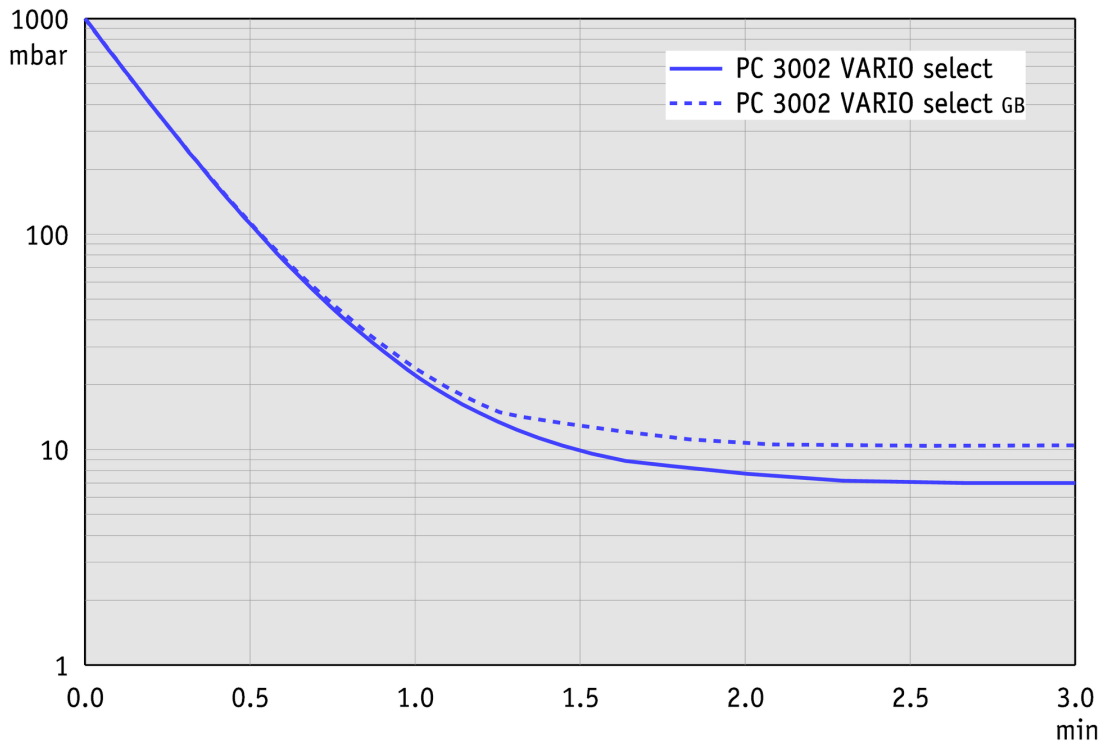
Technical data

Max. pumping speed 50 Hz (mbar)	2.8 m ³ /h
Max. pumping speed 60 Hz (cfm)	1.65 cfm
Ultimate vacuum	7 mbar / 5 torr
Ultimate vacuum with gas ballast	12 mbar / 9 torr
Number of heads	2
Number of stages	2
Vacuum controller	VACUU·SELECT
Permissible ambient temperature range (operation)	10 - 40 °C
Permissible ambient temperature range (storage)	-10 - 60 °C
Max. outlet pressure (abs.)	1.1 bar
Inlet connection	Hose nozzle DN 8-10 mm
Outlet connection	Hose nozzle DN 8-10 mm
Coolant connection	2 x hose nozzle DN 6-8 mm
Rated motor power	0.53 kW
Motor speed range	30 - 2400 min ⁻¹
Protection class IEC 60529	IP 20
Dimensions (L x W x H)	419 mm x 243 mm x 457 mm
Weight	17.9 kg
Noise (sound pressure level) in dBA at 50 Hz or 1500 rpm/62% (VARIO)/1500 rpm (VARIO-SP)/12500 Upm (VACUU·PURE®)	43 dBA
ATEX conformity	II 3/- G Ex h IIC T3 Gc X Internal Atm. only
NRTL certification	No
Interface	Ethernet (RJ45): Modbus TCP / USB (Type A): Data transfer, software update, RS-232 (additional adapter required)

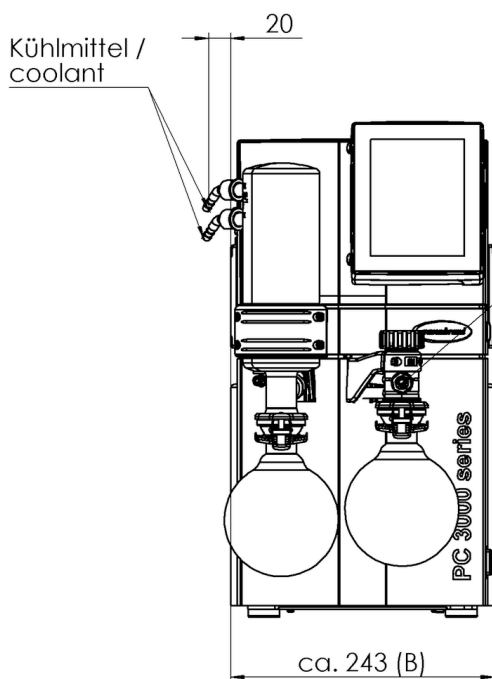
Pumping speed graph at 50 Hz



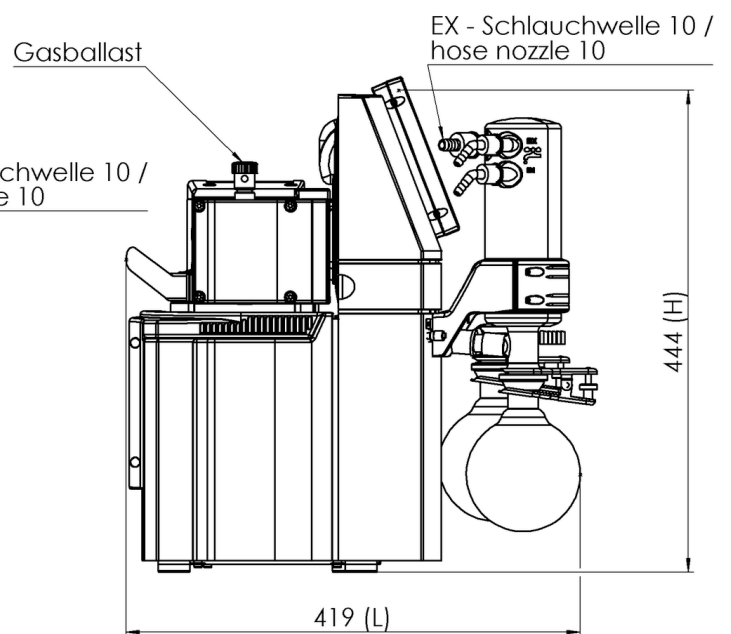
Pump down graph at 50 Hz (10 l volume)



Dimension sheet



Alle Maße / all dimensions (mm)
Gewicht / weight: ca.17,9 kg



VACUUBRAND PC 3002 VARIO select
Version 2018/04/05

VACUUBRAND GMBH + CO KG
P.O. Box 1664
97877 Wertheim
T +49 9342 808 5550
F +49 9342 808 5555

info@vacuubrand.com
www.vacuubrand.com

VACUUBRAND®

VACUUBRAND is part of the Brand group, a manufacturer of high-quality and innovative laboratory equipment and vacuum technology with a global team of approx. 1,000 employees.

With highly motivated and qualified employees, we manufacture the world's most comprehensive product family for vacuum generation, measurement and control for the rough and fine vacuum range in the laboratory.

All with one goal:

Enabling our customers to run reliable, safe and efficient processes. This is why we commit ourselves to continuous innovation, first-class performance, and outstanding quality.

Engineering excellence is central to our ability to deliver products and solutions renowned for their quality, durability, and reliability. Innovative technology, high quality materials and extensive testing deliver unmatched performance - engineered and manufactured in Germany.

Together with you, our experts will find the best solution for your application and provide you with first-class service along the way.

BRAND (Shanghai) Trading Co., Ltd.
Shanghai, China

T +86 21 6422 2318
info@brand.com.cn
china.brand.com.cn

BRAND Scientific Equipment Pvt. Ltd.
Mumbai, India

T +91 22 42957790
customersupport@brand.co.in
www.brand.co.in

BRANDTECH® Scientific, Inc.
Essex, CT. United States of America

T +1 860 767 2562
info@brandtech.com
www.brandtech.com