

Vacuum gauge DVR 2pro

[Link to the website](#)



Product description

The DVR 2pro is a fully electronic, versatile vacuum gauge for the measuring range from atmospheric pressure to 1 mbar. All wetted parts are made from enhanced chemical resistant material which allows the use under very rough laboratory conditions. The high accuracy and the large graphical display from the DVR 2 have also been carried forward for the “pro” version. One of the main enhancements is the power supply with a normal 9 V Alkaline battery. The new battery slot at the back of the gauge allows for easy replacement of the battery. A wider range of connection parts provide a great range of connection flexibility for laboratory use.

Performance features

- improved functionality within the navigation menu helps to save energy and to increase the life cycle of the battery
- large, graphical analog display with digital measuring values allows to detect tendencies and makes it easier to readout precisely
- pressure unit user-selectable in mbar, hPa or Torr prevents unnecessary conversions
- different vacuum connections and the additional support rod allow the use in almost every laboratory application
- chemical resistant materials for wetted parts together with the capacitive ceramic diaphragm pressure sensor provide excellent long-term stability and accuracy

Ordering data

Product name	Nominal mains voltage mains frequency	Plug type	Articleno.
DVR 2pro	9 V DC		20682906

Items supplied

Vacuum gauge complete with integrated vacuum sensor, including battery 9 V alkali-manganese, support rod, connecting parts and manual.

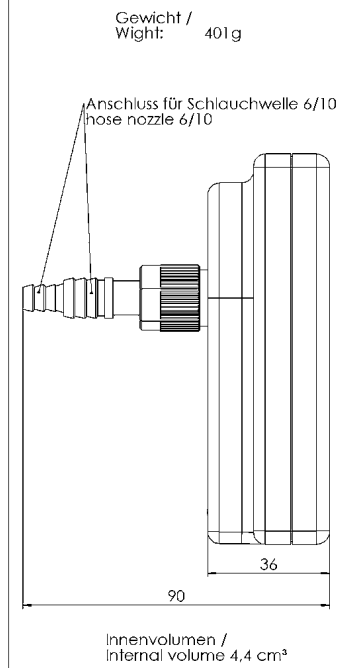
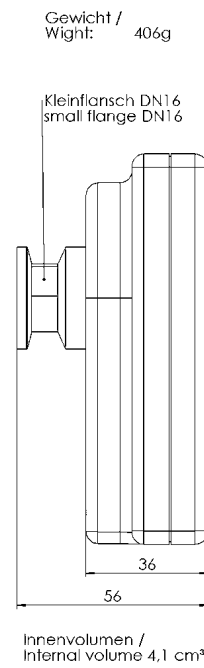
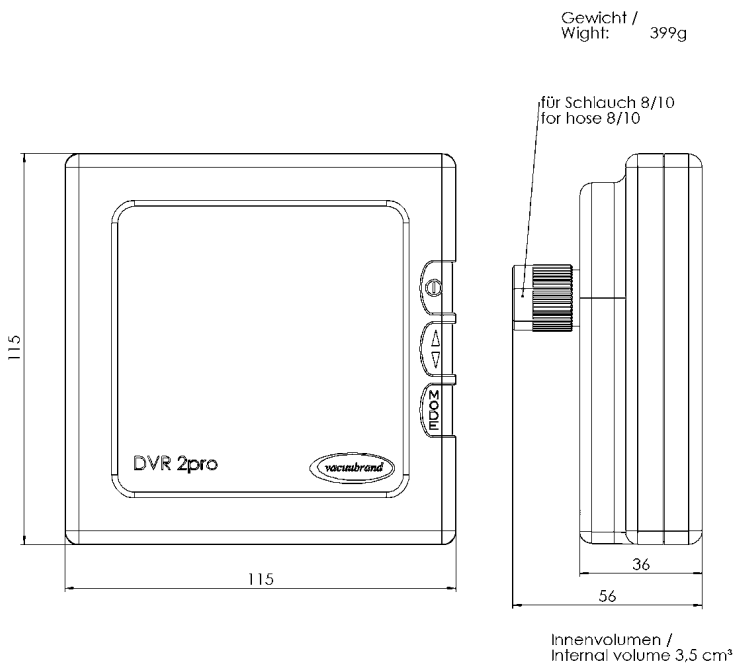
Accessories

- Rubber vacuum tubing DN 8 mm (20686001)

Technical data

Measuring range (mbar)	1060 - 1 mbar
Measuring range (torr)	795 - 1 torr
Measurement principle	Ceramic diaphragm (alumina), capacitive, gas indep., absolute pressure
Accuracy of measurement	< +/- 1 mbar/hPa/torr / +/- 1 digit (after adjustment, constant temp.)
Vacuum sensor	Integr.
Temperature coefficient	< 0.15 mbar/hPa/0.11 torr /K
Vacuum sensor connection	Small flange KF DN 16, PTFE tubing connection 10/8 mm, hose nozzle DN 6/10 mm
Permissible ambient temperature range (operation)	10 - 40 °C
Permissible ambient temperature range (storage)	-10 - 60 °C
Max. media temperature (continuous operation)	40 °C
Max. media temperature for short times	80 °C
Automatic switch-off	User-selectable: 1-600 min (default 5 min) or continuous operation
Measurement cycle	User-selectable: Automatic or 1 x per 3s, 1 x per 1s, 3 x per 1s
Power supply	9 V battery
Typical battery lifetime	4.000 h, stand-by: 30.000 h
Material of outer housing	Robust plastic housing with good chemical resistance
Protection class IEC 60529	IP 40
Dimensions (L x W x H)	115 x 115 x 90 mm
Weight	0.4 kg
NRTL certification	No

Dimension sheet



Alle Maße / all dimensions (mm)

VACUUBRAND DVR 2pro
Version 2017/07/25

VACUUBRAND GMBH + CO KG
P.O. Box 1664
97877 Wertheim
T +49 9342 808 5550
F +49 9342 808 5555

info@vacuubrand.com
www.vacuubrand.com

VACUUBRAND®

VACUUBRAND is part of the Brand group, a manufacturer of high-quality and innovative laboratory equipment and vacuum technology with a global team of approx. 1,000 employees.

With highly motivated and qualified employees, we manufacture the world's most comprehensive product family for vacuum generation, measurement and control for the rough and fine vacuum range in the laboratory.

All with one goal:

Enabling our customers to run reliable, safe and efficient processes. This is why we commit ourselves to continuous innovation, first-class performance, and outstanding quality.

Engineering excellence is central to our ability to deliver products and solutions renowned for their quality, durability, and reliability. Innovative technology, high quality materials and extensive testing deliver unmatched performance - engineered and manufactured in Germany.

Together with you, our experts will find the best solution for your application and provide you with first-class service along the way.

BRAND (Shanghai) Trading Co., Ltd.
Shanghai, China

T +86 21 6422 2318
info@brand.com.cn
china.brand.com.cn

BRAND Scientific Equipment Pvt. Ltd.
Mumbai, India

T +91 22 42957790
customersupport@brand.co.in
www.brand.co.in

BRANDTECH® Scientific, Inc.
Essex, CT. United States of America

T +1 860 767 2562
info@brandtech.com
www.brandtech.com