

Chemistry diaphragm pump MV 10C EX VARIO

[Link to the website](#)



Product description

With the new ATEX VARIO® chemistry diaphragm pumps and vacuum systems, the vacuum can be precisely controlled by the motor speed. The VARIO® pump is driven by an additional control signal line. The optional vacuum controller VACUU-SELECT with ATEX vacuum sensor and Connection Box 100 enable fully automatic evaporations without the need for parameter settings or user programming. With the adaptive control it finds the boiling pressure independently and adjusts the vacuum continuously and optimally according to the vapor pressure. The vacuum controller and the Connection Box 100 are installed in a non-hazardous area.

Performance features

- full advantage of ATEX chemistry diaphragm pumps
- VARIO®: short process times due to hysteresis-free VARIO® vacuum control
- VARIO®: VARIO® pump operates on demand only as fast as necessary – minimal power consumption, extended maintenance intervals, silent operation
- VARIO®: Vacuum controller VACUU-SELECT (optional) for precise vacuum control and fully automatic processes
- ATEX vacuum sensor and Connection Box 100 for easy installation – from one source

Ordering data

Product name	Nominal mains voltage mains frequency	Plug type	Articleno.
MV 10C EX VARIO	230 V 50 Hz	Open wires	20696946

Items supplied

Pump with two motors (with control and mains cables at each of the two motors) completely mounted, ready for use, with manual. Speed control via 4-20 mA current loop (4 mA = 0 rpm, 20mA = 1500 rpm). Control signal and mains cable length 10 m, without plugs.

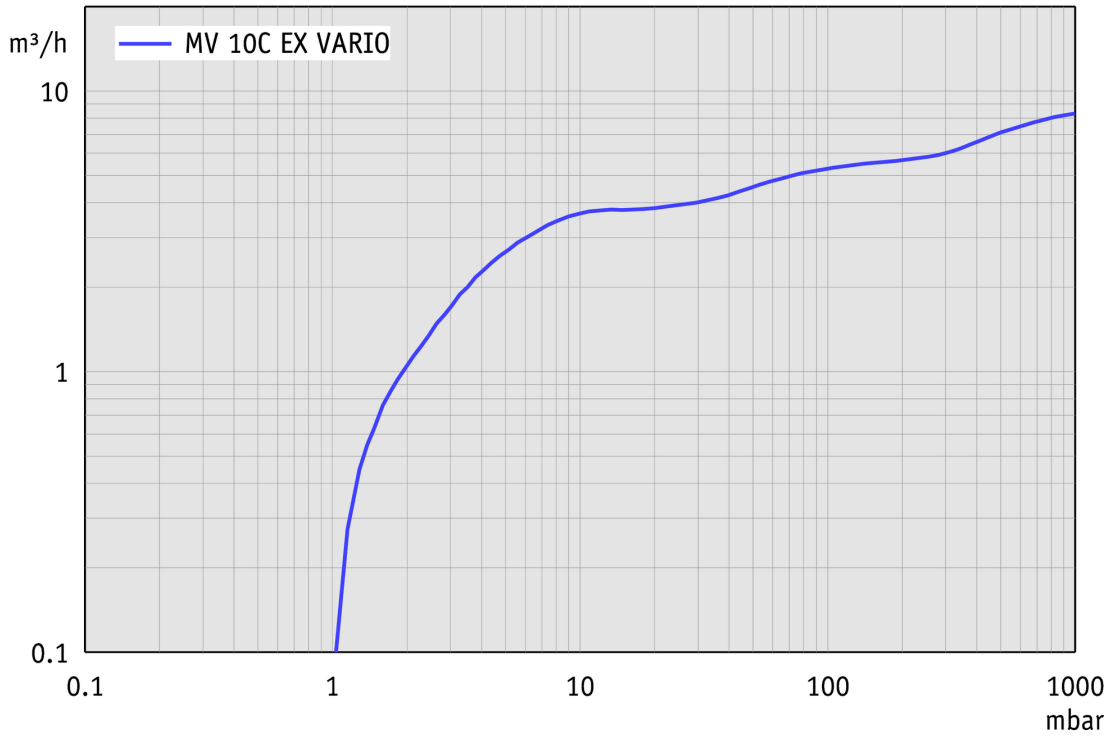
Accessories

- Connection box for ATEX VARIO pumps Connection Box 100 (20635435)
- Vacuum sensor DMP 331i KF DN 16 (20635423)
- Vacuum sensor Cerabar PMP21 KF DN 16 (20635424)
- Vacuum controller CVC 3000 (20635028)
- PTFE-tubing (antistatic) with small flanges KF DN 16 (20686031)
- PTFE-tubing (antistatic) with small flanges KF DN 25 (20686033)
- Analog-I/O-Module IN 4-20mA/OUT 0-10V VACUU·BUS® VACUU·BUS® (20635425)
- Isolating amplifier, for the connection of the ATEX VARIO pump/s Isolating amplifier 0-10V/4-20mA EX (20635426)
- Ex-i power/input isolating amplifier (20635427)
- (20612090)
- VACUU·BUS cable 2 m with male plug and with litz wires VACUU·BUS® (20612462)

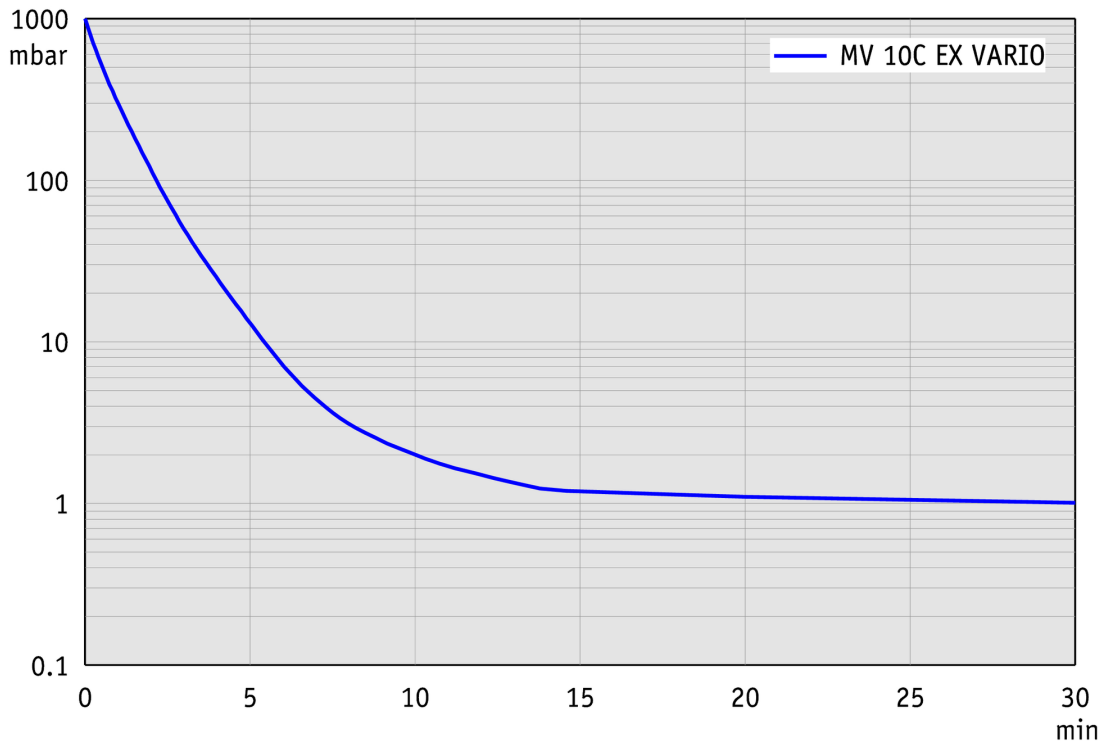
Technical data

Max. pumping speed 50 Hz (mbar)	8.1 m ³ /h
Ultimate vacuum	2 mbar / 1.5 torr
Ultimate vacuum with gas ballast	10 mbar / 7.5 torr
Number of heads	8
Number of stages	4
Vacuum controller	without controller
Permissible ambient temperature range (operation)	10 - 40 °C
Permissible ambient temperature range (storage)	-10 - 60 °C
Max. outlet pressure (abs.)	1.1 bar
Inlet connection	small flange KF DN 25
Outlet connection	small flange KF DN 16
Rated motor power	0.5 kW
Motor speed range	30 - 1500 min ⁻¹
Rated speed 50/60 Hz	1500 min ⁻¹
Protection class IEC 60529	IP 54
Dimensions (L x W x H)	560 mm x 457 mm x 410 mm
Weight	61 kg
Noise (sound pressure level) in dBA at 50 Hz or 1500 rpm/62% (VARIO)/1500 rpm (VARIO-SP)/12500 Upm (VACUU·PURE®)	42 dBA
ATEX conformity	Pumping chamber (pumped gases): II 2G Ex h IIC T3 Gb X Environment with inert purge gas: II 2G Ex h IIB T4 Gb X Environment without inert purge gas: II 3G Ex h IIB T4 Gc X Motor: II 2G Ex db IIB T4 Gb
NRTL certification	No

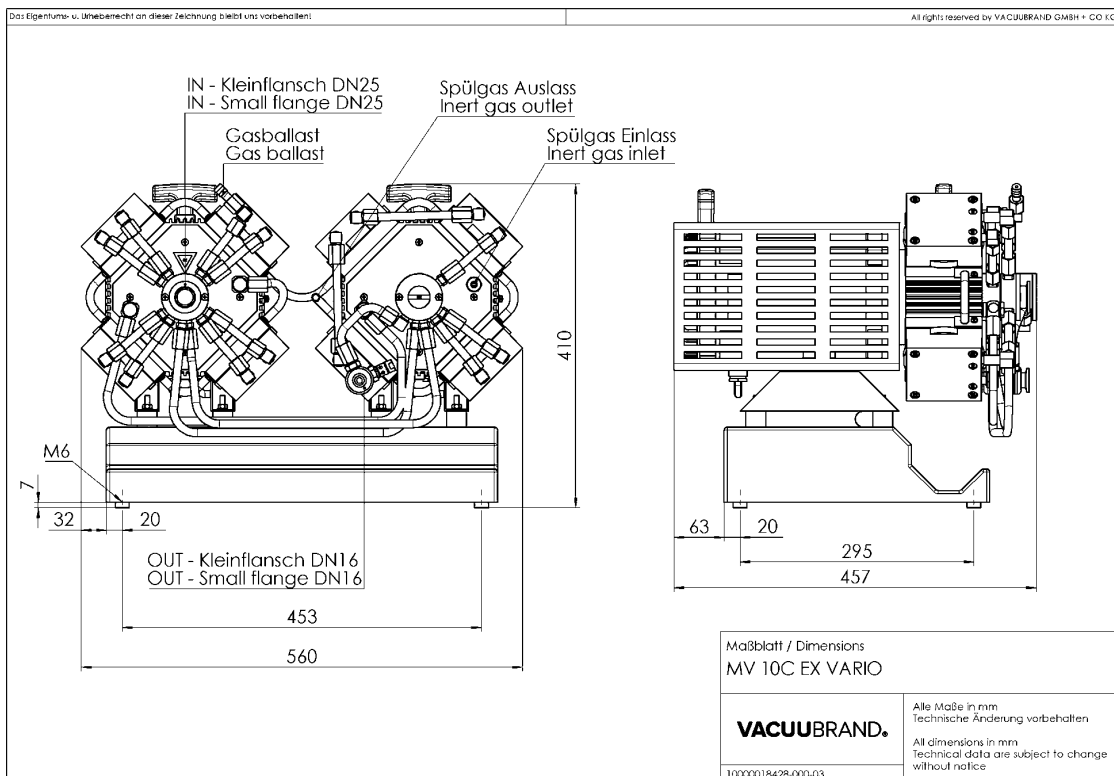
Pumping speed graph at 50 Hz



Pump down graph at 50 Hz (100 l volume)



Dimension sheet



VACUUBRAND GMBH + CO KG
P.O. Box 1664
97877 Wertheim
T +49 9342 808 5550
F +49 9342 808 5555

info@vacuubrand.com
www.vacuubrand.com

VACUUBRAND®

VACUUBRAND is part of the Brand group, a manufacturer of high-quality and innovative laboratory equipment and vacuum technology with a global team of approx. 1,000 employees.

With highly motivated and qualified employees, we manufacture the world's most comprehensive product family for vacuum generation, measurement and control for the rough and fine vacuum range in the laboratory.

All with one goal:

Enabling our customers to run reliable, safe and efficient processes. This is why we commit ourselves to continuous innovation, first-class performance, and outstanding quality.

Engineering excellence is central to our ability to deliver products and solutions renowned for their quality, durability, and reliability. Innovative technology, high quality materials and extensive testing deliver unmatched performance - engineered and manufactured in Germany.

Together with you, our experts will find the best solution for your application and provide you with first-class service along the way.

BRAND (Shanghai) Trading Co., Ltd.
Shanghai, China

T +86 21 6422 2318
info@brand.com.cn
china.brand.com.cn

BRAND Scientific Equipment Pvt. Ltd.
Mumbai, India

T +91 22 42957790
customersupport@brand.co.in
www.brand.co.in

BRANDTECH® Scientific, Inc.
Essex, CT. United States of America

T +1 860 767 2562
info@brandtech.com
www.brandtech.com