

# Fluid aspiration system BVC professional G

[Link to the website](#)



## Product description

The BioChem-VacuuCenter BVC professional serves for aspiration and disposal of biological fluids, providing outstanding levels of comfort and safety for working with biological and biohazardous materials. A non-contact sensor monitors the liquid level in the collection bottle electronically and prevents overfilling. A disinfection routine allows the suction of disinfectants through aspiration hand set and tubing after switching off the pump, and so supports demanding safety protocols. The BVC professional with 4l PP bottle with self-closing quick couplings minimizes risk in transporting hazardous waste and of contamination in the workplace. The version with coated 2l borosilicate glass bottle allows you to work with aggressive disinfectants like chlorine bleach.

## Performance features

- with all the advantages of the BVC control
- non-contact sensor for electronic monitoring of the liquid level in the collection bottle
- disinfection routine for the suction tubing for drawing in disinfectant after switching off the pump
- self-closing quick couplings (as accessory to the BVC professional G) for convenient and safe bottle change, e.g., for work with biohazards
- for professional work and a perfect fit for required safety protocols

## Ordering data

Product name	Nominal mains voltage   mains frequency	Plug type	Articleno.
BVC professional G	230 V   50-60 Hz	CEE	20727500
BVC professional G	230 V   50-60 Hz	CH, CN	20727501
BVC professional G	230 V   50-60 Hz	UK, IN	20727502
BVC professional G	100-115 V   50-60 Hz 120 V   60 Hz	US	20727503

## Items supplied

Fluid aspiration system complete with powerful chemistry diaphragm pump, collection bottle, adjustable suction power control via touch panel, non-contact liquid level sensor, aspiration hand set VHC<sup>pro</sup> and protection filter, ready for use with manual.

## Accessories

- VacuuHandControl VHC<sup>pro</sup> (20688061)
- BVC 2l bottle glass BVC (20635809)
- Bottle 2L glass, with cap unmachined (w/o filter, connection for hose, blind plug) BVC (20635871)
- Table stand for VHC<sup>pro</sup> VHC<sup>pro</sup> (20635680)
- 8-channel tip adapter with ejector, for VacuuHandControl VHCpro BVC (20635679)
- BVC shuttle BVC shuttle (20696880)

## Technical data

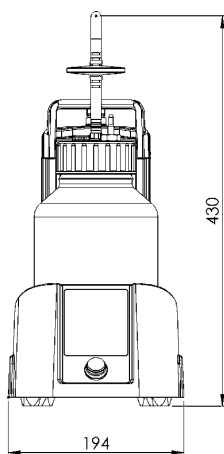
Max. pumping speed of the vacuum pump 50 Hz (mbar)	0.7 m <sup>3</sup> /h
Max. pumping speed of the vacuum pump 60 Hz (cfm)	0.7 cfm
Ultimate vacuum	150 mbar / 112 torr
Number of heads	1
Number of stages	1
Vacuum controller	Touchpanel
Collection bottle	2l Glass
Permissible ambient temperature range (operation)	10 - 40 °C
Permissible ambient temperature range (storage)	-10 - 60 °C
Max. outlet pressure (abs.)	1.1 bar
Inlet connection	Suction controller
Outlet connection	Hose nozzle DN 8 mm / silencer
Rated motor power	0.04 kW
Rated speed 50/60 Hz	1500/1800 min <sup>-1</sup>
Protection class IEC 60529	IP 40
Dimensions (L x W x H)	408 mm x 194 mm x 430 mm
Weight	8.1 kg
Noise (sound pressure level) in dBA at 50 Hz or 1500 rpm/62% (VARIO)/1500 rpm (VARIO-SP)/12500 Upm (VACUU·PURE®)	49 dBA
NRTL certification	No

## Dimension sheet

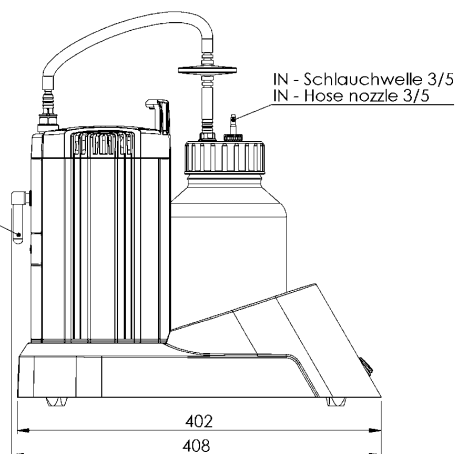


Das Eigenname- u. Urheberrecht an dieser Zeichnung bleibt uns vorbehalten!

All rights reserved by VACUUBRAND GMBH + CO KG



OUT - Schalldämpfer  
OUT - Silencer



Maßblatt / Dimensions  
BVC professional G

**VACUUBRAND.**

Alle Maße in mm  
Technische Änderung vorbehalten

All dimensions in mm  
Technical data are subject to change  
without notice

10000018664-000-02

VACUUBRAND GMBH + CO KG  
P.O. Box 1664  
97877 Wertheim  
T +49 9342 808 5550  
F +49 9342 808 5555

info@vacuubrand.com  
www.vacuubrand.com

**VACUUBRAND®**

VACUUBRAND is part of the Brand group, a manufacturer of high-quality and innovative laboratory equipment and vacuum technology with a global team of approx. 1,000 employees.

With highly motivated and qualified employees, we manufacture the world's most comprehensive product family for vacuum generation, measurement and control for the rough and fine vacuum range in the laboratory.

**All with one goal:**

Enabling our customers to run reliable, safe and efficient processes. This is why we commit ourselves to continuous innovation, first-class performance, and outstanding quality.

Engineering excellence is central to our ability to deliver products and solutions renowned for their quality, durability, and reliability. Innovative technology, high quality materials and extensive testing deliver unmatched performance - engineered and manufactured in Germany.

Together with you, our experts will find the best solution for your application and provide you with first-class service along the way.

BRAND (Shanghai) Trading Co., Ltd.  
Shanghai, China

T +86 21 6422 2318  
info@brand.com.cn  
china.brand.com.cn

BRAND Scientific Equipment Pvt. Ltd.  
Mumbai, India

T +91 22 42957790  
customersupport@brand.co.in  
www.brand.co.in

BRANDTECH® Scientific, Inc.  
Essex, CT. United States of America

T +1 860 767 2562  
info@brandtech.com  
www.brandtech.com