

Chemistry vacuum system MD 12C NT +EK

[Link to the website](#)



Product description

These chemistry vacuum systems have a wide range of applications like evacuation, evaporation and pumping of gases and vapors. They provide a particularly high pumping speed and are ideal for higher vacuum requirements, e.g., with high boiling solvents. The base pump MD 12C NT obtains a very good ultimate vacuum even with gas ballast and features high performance in a compact design. The consistent design for highest chemical resistance enables almost universal usage in chemistry and pharmaceuticals. The waste vapor condenser at the outlet (EK) is highly efficient and compact. The condenser enables near-100-percent solvent recovery, efficient recycling and active protection of the environment. An optional separator at the inlet (AK) made of glass with protective coating retains particles and liquid droplets and can be mounted later to this system.

Performance features

- outstanding chemical resistance and superior vapor tolerance
- reduced process time due to particularly high pumping speed even near ultimate vacuum
- whisper quiet and very low vibration
- very good ultimate vacuum even with open gas ballast valve for condensate purge
- excellent environmental friendliness due to efficient solvent recovery

Ordering data

| Product name | Nominal mains voltage mains frequency | Plug type | Articleno. |
|---------------|---|-----------|------------|
| MD 12C NT +EK | 200-230 V 50-60 Hz | CH, CN | 20743501 |

Items supplied

Pumping unit completely mounted, ready for use, with manual.

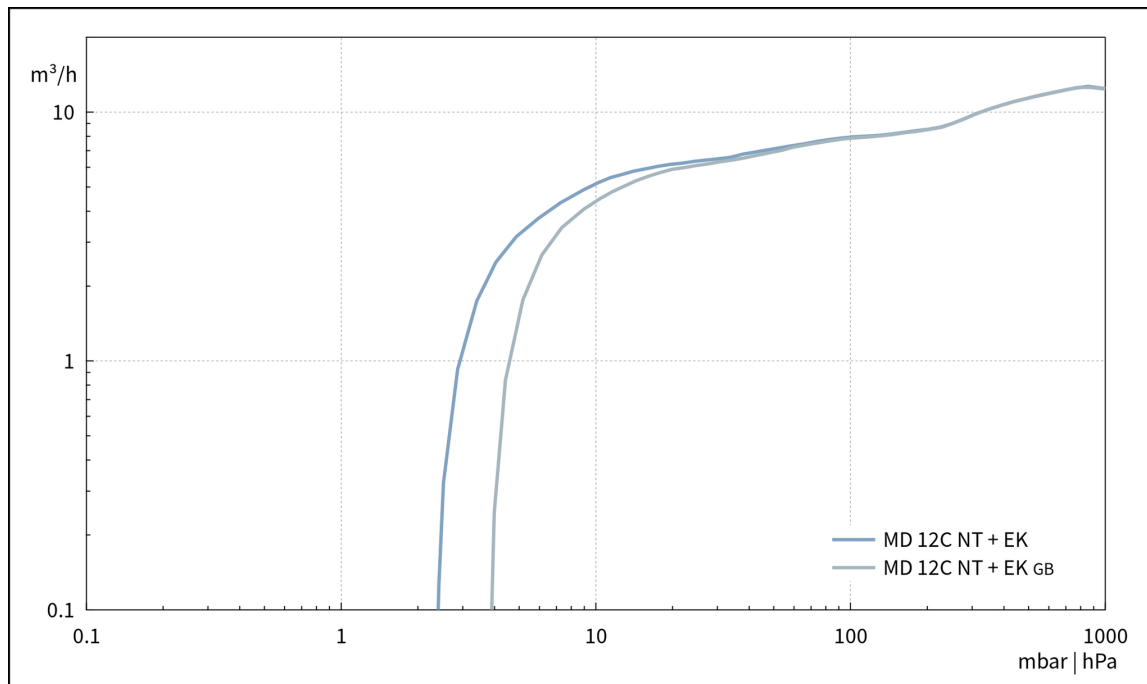
Accessories

- Silencer with hose 5cm DN 8-10mm (20636588)
- Clamping ring for small flange KF DN 20/25 (20660001)
- External centring ring for small flange KF DN 20/25 (20660196)
- Vacuum tubing PVC with internal stainless steel spiral, with small flanges KF DN 25 (20686021)
- Small flange with hose nozzle KF DN 25 / DN 10 mm (20662807)
- Rubber vacuum tubing DN 10 mm (20686002)

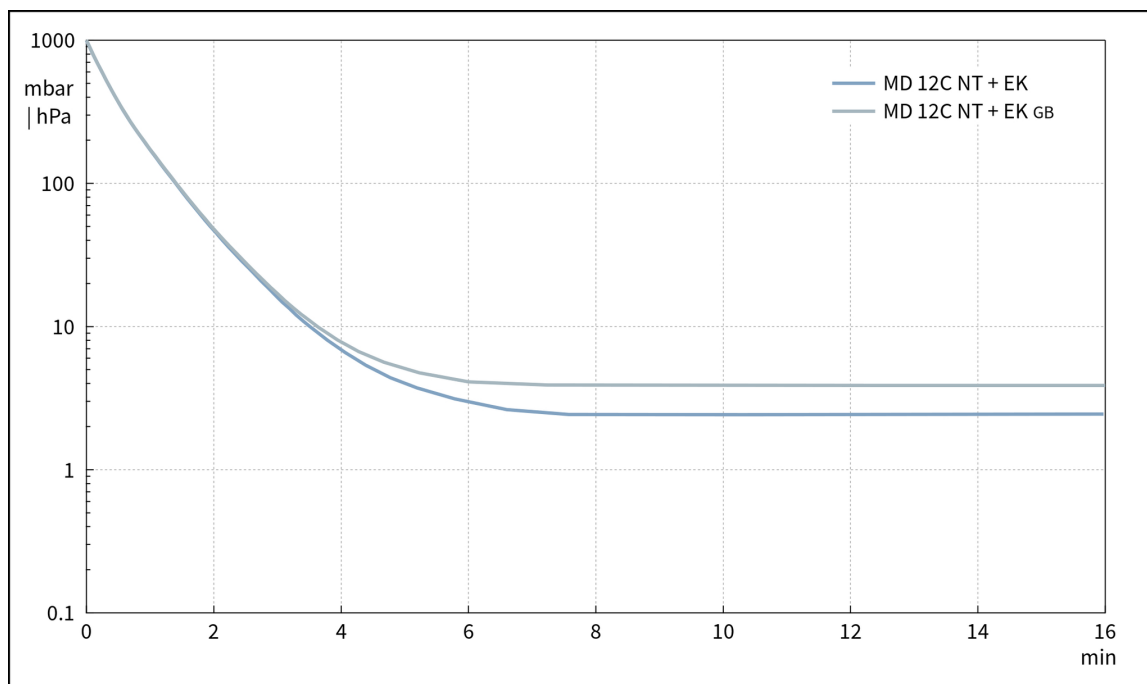
Technical data

| | |
|--|--|
| Max. pumping speed 50 Hz (mbar) | 12 m ³ /h |
| Max. pumping speed 60 Hz (cfm) | 7.0 cfm |
| Ultimate vacuum | 2 mbar / 1.5 torr |
| Ultimate vacuum with gas ballast | 4 mbar / 3 torr |
| Number of heads | 8 |
| Number of stages | 3 |
| Permissible ambient temperature range (operation) | 10 - 40 °C |
| Permissible ambient temperature range (storage) | -10 - 60 °C |
| Max. outlet pressure (abs.) | 1.1 bar |
| Inlet connection | small flange KF DN 25 |
| Outlet connection | Hose nozzle DN 8-10 mm |
| Coolant connection | 2 x hose nozzle DN 6-8 mm |
| Rated motor power | 0.53 kW |
| Rated speed 50/60 Hz | 1650 min ⁻¹ |
| Protection class IEC 60529 | IP 40 |
| Dimensions (L x W x H) | 528 mm x 387 mm x 395 mm |
| Weight | 28.4 kg |
| Noise (sound pressure level) in dBA at 50 Hz or 1500 rpm/62% (VARIO)/1500 rpm (VARIO-SP)/12500 Upm (VACUU·PURE®) | 50 dBA |
| ATEX conformity | II 3/- G Ex h IIC T3 Gc X Internal Atm. only |
| NRTL certification | No |

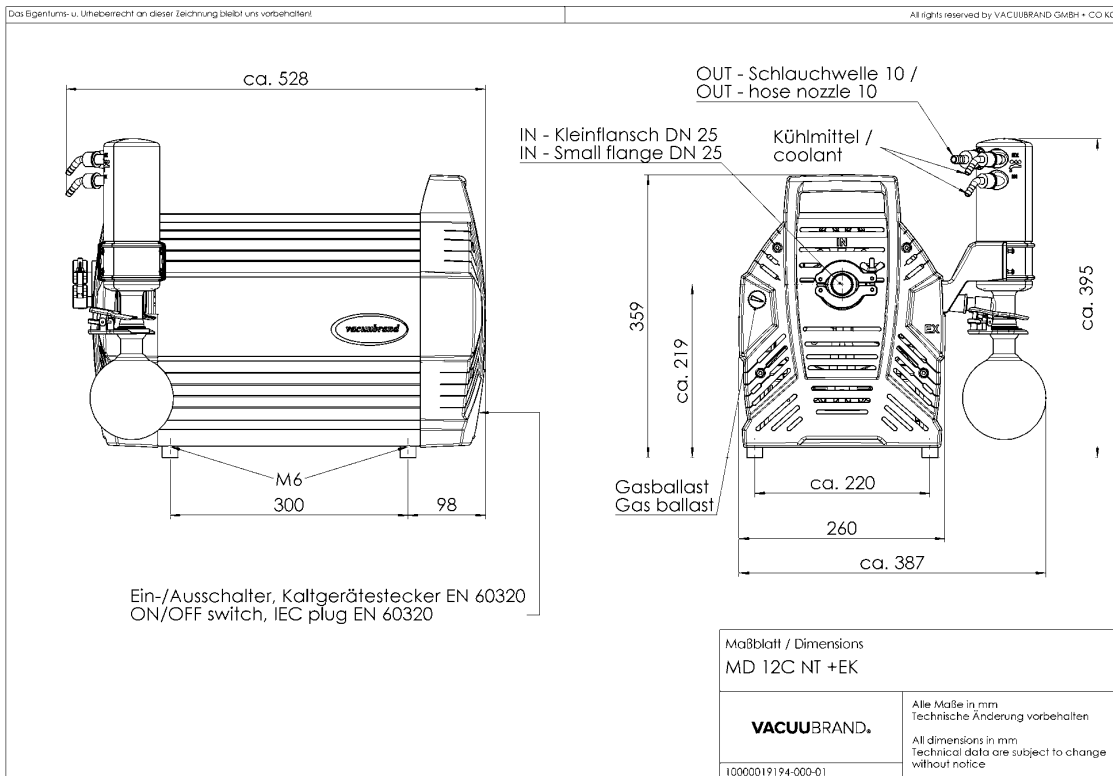
Pumping speed graph at 50 Hz



Pump down graph at 50 Hz (100 l volume)



Dimension sheet



VACUUBRAND GMBH + CO KG
P.O. Box 1664
97877 Wertheim
T +49 9342 808 5550
F +49 9342 808 5555

info@vacuubrand.com
www.vacuubrand.com

VACUUBRAND®

VACUUBRAND is part of the Brand group, a manufacturer of high-quality and innovative laboratory equipment and vacuum technology with a global team of approx. 1,000 employees.

With highly motivated and qualified employees, we manufacture the world's most comprehensive product family for vacuum generation, measurement and control for the rough and fine vacuum range in the laboratory.

All with one goal:

Enabling our customers to run reliable, safe and efficient processes. This is why we commit ourselves to continuous innovation, first-class performance, and outstanding quality.

Engineering excellence is central to our ability to deliver products and solutions renowned for their quality, durability, and reliability. Innovative technology, high quality materials and extensive testing deliver unmatched performance - engineered and manufactured in Germany.

Together with you, our experts will find the best solution for your application and provide you with first-class service along the way.

BRAND (Shanghai) Trading Co., Ltd.
Shanghai, China

T +86 21 6422 2318
info@brand.com.cn
china.brand.com.cn

BRAND Scientific Equipment Pvt. Ltd.
Mumbai, India

T +91 22 42957790
customersupport@brand.co.in
www.brand.co.in

BRANDTECH® Scientific, Inc.
Essex, CT. United States of America

T +1 860 767 2562
info@brandtech.com
www.brandtech.com