

Chemistry diaphragm pump MZ 1C

[Link to the website](#)



Product description

Chemistry-design diaphragm pumps are an excellent solution for continuous, oil-free pumping of corrosive gases and vapors. The two-stage construction provides the advantageous combination of high pumping speed and low ultimate vacuum. All major parts in contact with pumped media are made of chemically resistant fluoroplastics. Well-proven PTFE-sandwich diaphragms increase reliability and extend operating life. The MZ 1C pump is equipped with a gas ballast valve for continuous condensate purge increasing the pumping capability of condensable vapors. It features slim design for space-saving installation and good vacuum performance. A manual vacuum regulator valve with dial gauge for adjustment of pumping speed and ultimate vacuum is available as accessory.

Performance features

- outstanding chemical resistance and superior vapor tolerance
- convenient, quick and simple to use due to the top mounted power switch
- optimized vacuum even with gas ballast for continuous purge
- whisper quiet and very low vibration
- maintenance-free drive system and proven long diaphragm life

Ordering data

| Product name | Nominal mains voltage mains frequency | Plug type | Articleno. |
|--------------|---|-----------|------------|
| MZ 1C | 220-230 V 50-60 Hz | CEE | 20724100 |

Items supplied

Pump completely mounted, ready for use, with manual.

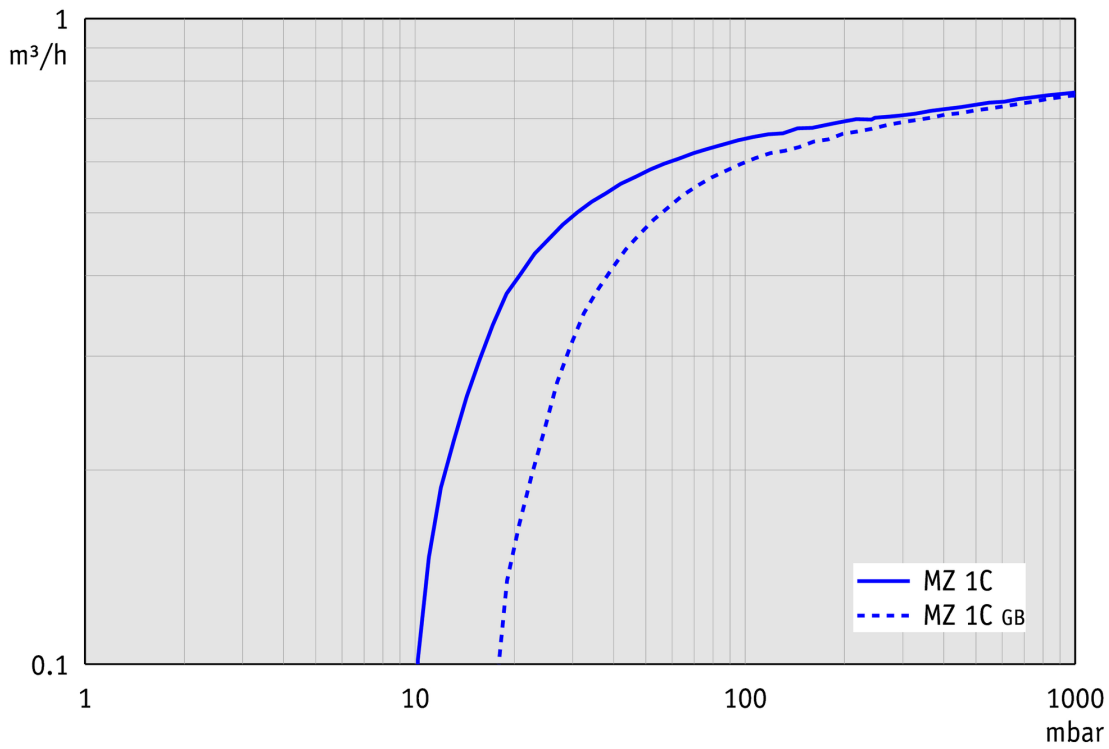
Accessories

- Silencer with hose 5cm DN 8-10mm (20636588)
- Rubber vacuum tubing DN 8 mm (20686001)
- Chemistry vacuum regulator valve unit ME 1C (20696843)

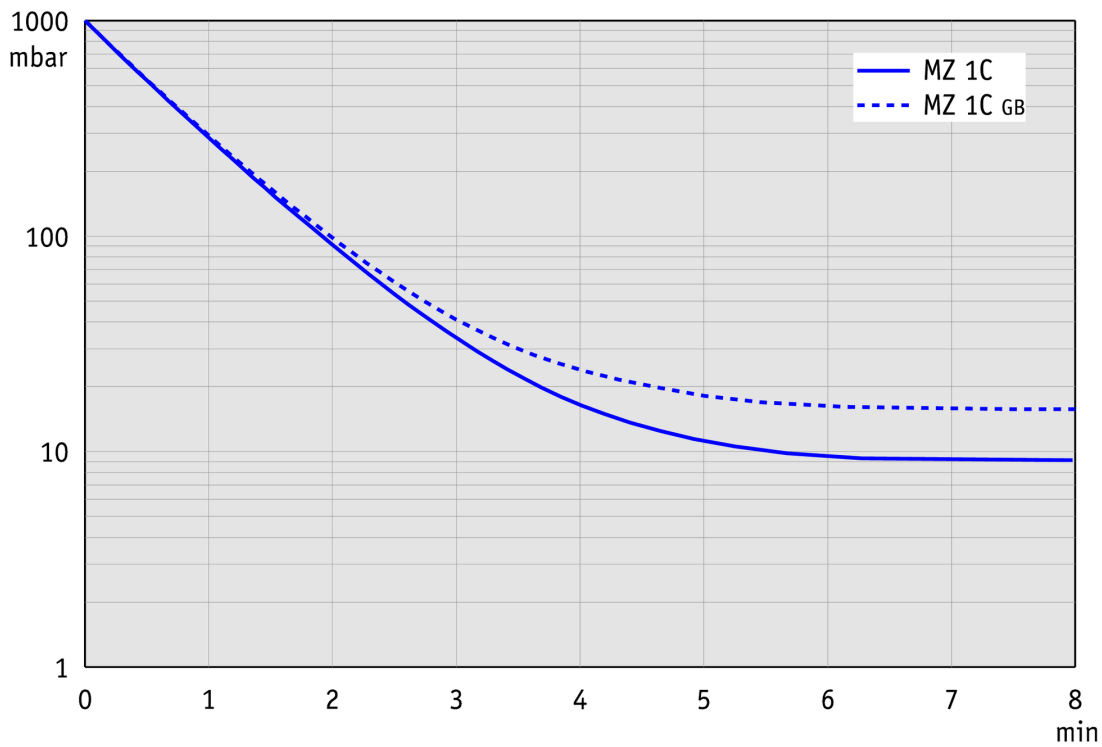
Technical data

| | |
|--|--|
| Max. pumping speed 50 Hz (mbar) | 0.75 m ³ /h |
| Max. pumping speed 60 Hz (cfm) | 0.5 cfm |
| Ultimate vacuum | 12 mbar / 9 torr |
| Ultimate vacuum with gas ballast | 20 mbar / 15 torr |
| Number of heads | 2 |
| Number of stages | 2 |
| Permissible ambient temperature range (operation) | 10 - 40 °C |
| Permissible ambient temperature range (storage) | -10 - 60 °C |
| Max. outlet pressure (abs.) | 1.1 bar |
| Inlet connection | Hose nozzle DN 8-10 mm |
| Outlet connection | Hose nozzle DN 8-10 mm |
| Rated motor power | 0.06 kW |
| Rated speed 50/60 Hz | 1500/1800 min ⁻¹ |
| Protection class IEC 60529 | IP 40 |
| Dimensions (L x W x H) | 312 mm x 121 mm x 170 mm |
| Weight | 6.7 kg |
| Noise (sound pressure level) in dBA at 50 Hz or 1500 rpm/62% (VARIO)/1500 rpm (VARIO-SP)/12500 Upm (VACUU·PURE®) | 45 dBA |
| ATEX conformity | II 3/- G Ex h IIC T3 Gc X Internal Atm. only |
| NRTL certification | Yes |

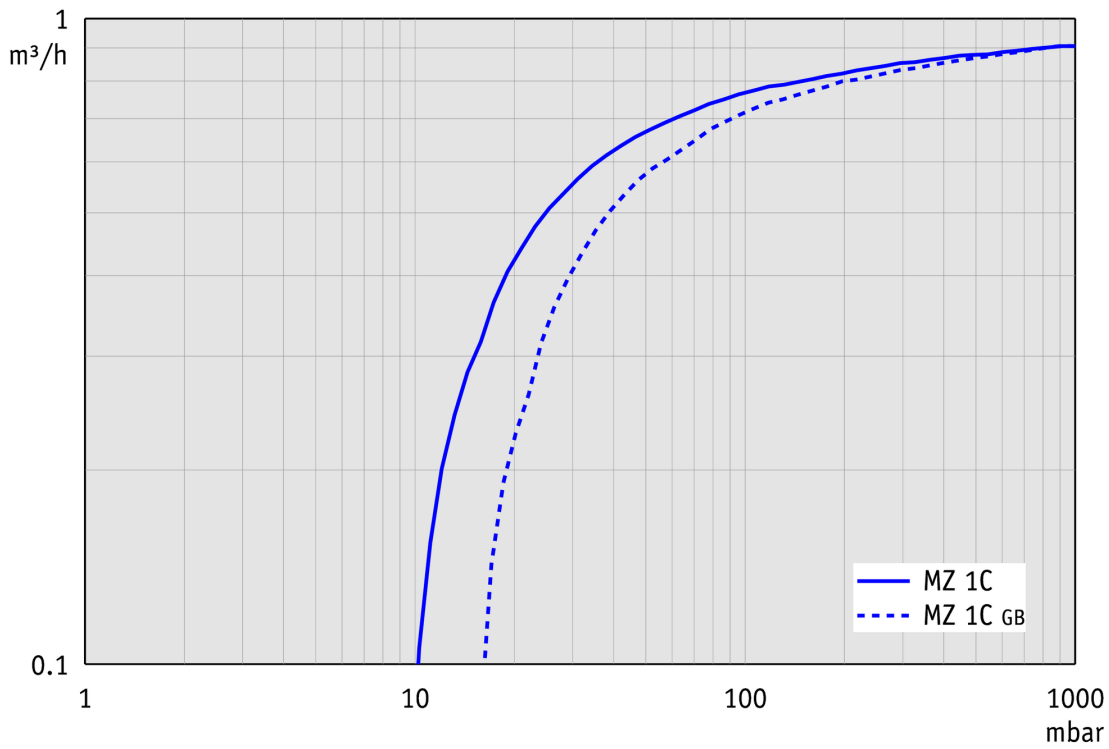
Pumping speed graph at 50 Hz



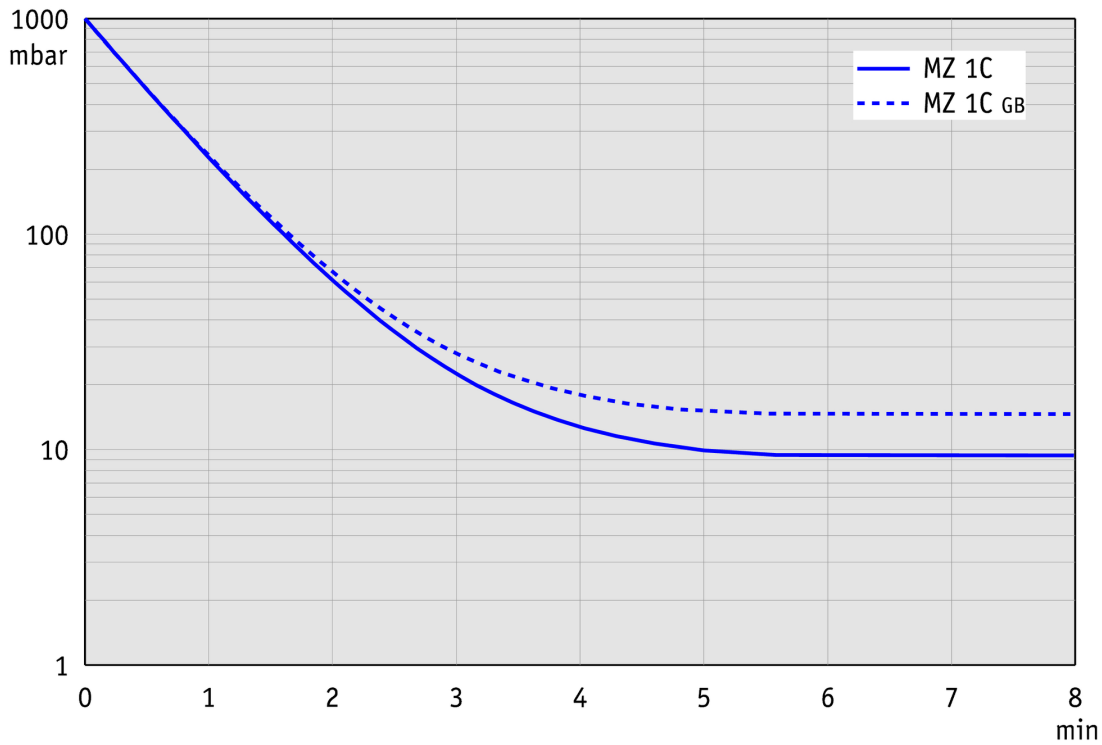
Pump down graph at 50 Hz (10 l volume)



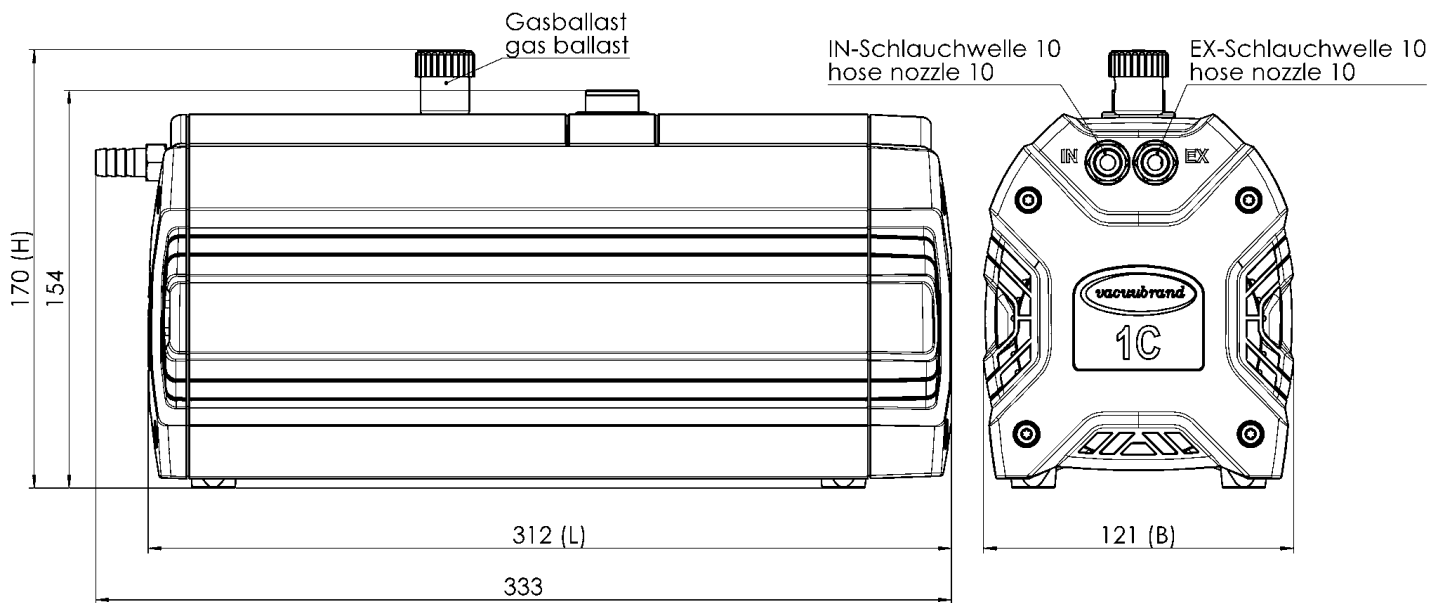
Pumping speed graph at 60 Hz



Pump down graph at 60 Hz (10 l volume)



Dimension sheet



Gewicht / weight 230V : 6,7 kg
Alle Maße / all dimensions (mm)

VACUUBRAND MZ 1C
Version 2011/03/08

VACUUBRAND GMBH + CO KG
P.O. Box 1664
97877 Wertheim
T +49 9342 808 5550
F +49 9342 808 5555

info@vacuubrand.com
www.vacuubrand.com

VACUUBRAND®

VACUUBRAND is part of the Brand group, a manufacturer of high-quality and innovative laboratory equipment and vacuum technology with a global team of approx. 1,000 employees.

With highly motivated and qualified employees, we manufacture the world's most comprehensive product family for vacuum generation, measurement and control for the rough and fine vacuum range in the laboratory.

All with one goal:

Enabling our customers to run reliable, safe and efficient processes. This is why we commit ourselves to continuous innovation, first-class performance, and outstanding quality.

Engineering excellence is central to our ability to deliver products and solutions renowned for their quality, durability, and reliability. Innovative technology, high quality materials and extensive testing deliver unmatched performance - engineered and manufactured in Germany.

Together with you, our experts will find the best solution for your application and provide you with first-class service along the way.

BRAND (Shanghai) Trading Co., Ltd.
Shanghai, China

T +86 21 6422 2318
info@brand.com.cn
china.brand.com.cn

BRAND Scientific Equipment Pvt. Ltd.
Mumbai, India

T +91 22 42957790
customersupport@brand.co.in
www.brand.co.in

BRANDTECH® Scientific, Inc.
Essex, CT. United States of America

T +1 860 767 2562
info@brandtech.com
www.brandtech.com