

# Package fine vacuum control CVC 3000 + VSP 3000, KF DN 25

[Link to the website](#)



Pump not included

## Product description

The packages enable convenient vacuum control in the fine vacuum range down to  $10^{-3}$  mbar and consist of a CVC 3000 vacuum controller, a VSP 3000 external Pirani vacuum sensor, a VV-B 15C in-line solenoid valve and all necessary small flange components. VACUUBRAND offers two packages, one with small flanges KF DN 16, suitable, e.g., for the VACUUBRAND RE/RZ 2.5 to RE/RZ 6 rotary vane pumps or our RC 6 Chemistry-HYBRID pump; or select the small flange KF DN 25 version suitable for our RE/RZ 9 to RE/RZ 16 rotary vane pumps. The CVC 3000 runs vacuum processes by control of external vacuum, venting and cooling water valves. In these packages the vacuum control is performed by opening and closing the in-line solenoid valve VV-B 15C. The controller and components are completely self-configuring and automatically checked via VACUU-BUS® communication protocol.

## Performance features

- the CVC 3000 controls vacuum, cooling water and venting to demand
- intuitive operation with turn-and-tap jog wheel and clear text menus
- rugged VSP 3000 vacuum sensor made of plastics and ceramics with high chemical resistance, splash-water proof, also for rough operating conditions
- VSP 3000 with wide measurement range from atmospheric pressure to fine vacuum ( $10^{-3}$  mbar) according to the principle of thermal conduction
- the in-line solenoid valve is chemically highly resistant (series C)

## Ordering data

Product name	Nominal mains voltage   mains frequency	Plug type	Articleno.
CVC 3000 + VSP 3000, KF DN 25	100-230 V   50-60 Hz	CEE/CH/UK/US/AUS/CN	20635982

## Items supplied

Package for fine vacuum control, consisting of: - vacuum controller CVC 3000 (without internal vacuum sensor and venting valve) with VSP 3000 and power supply - in-line solenoid valve VV-B 15C KF DN 25 - T-piece KF DN 25, hose nozzle DN 15 mm (PP), clamping and sealing rings, ready for use, with manual.

## Accessories

- Rubber vacuum tubing DN 8 mm (20686001)

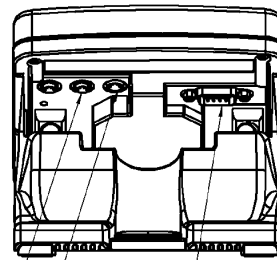
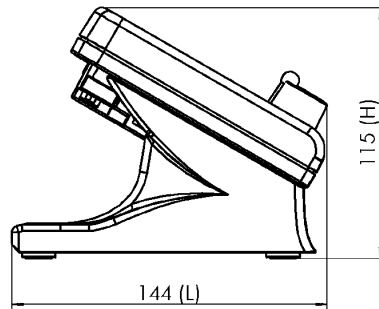
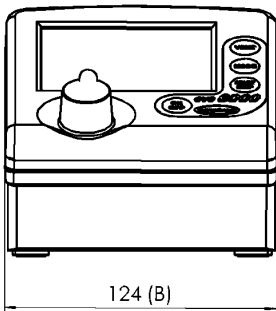
## Technical data

Measuring range (mbar)	1000 - $1 \times 10^{-3}$ mbar
Measuring range (torr)	750 - $1 \times 10^{-3}$ torr
Measurement principle	Thermal conductivity (Pirani), chemically resistant plastics / ceramics
Accuracy of measurement	+/- 15% of indicated value in the range 0.01-5 mbar/hPa/torr
Vacuum sensor	VSP 3000
Temperature coefficient	< 0.07 mbar/hPa/0.05 torr /K
Vacuum sensor connection	Small flange KF DN 25 / hose nozzle DN 15 mm
Venting valve, connection	No
Permissible ambient temperature range (operation)	10 - 40 °C
Permissible ambient temperature range (storage)	-10 - 60 °C
Max. media temperature (continuous operation)	40 °C
Max. media temperature for short times	80 °C
Material of outer housing	Robust plastic housing with good chemical resistance
Protection class IEC 60529	IP 20
Protection class UL50E	Type 1
Protection class of front side according to IEC 60529	IP 42
Dimensions (L x W x H)	144 x 124 x 115 mm
Weight	0.44 kg
Max. breaking capacity / breaking current 24V/VACUU·BUS®	4 A
Cable length connection	2 m
NRTL certification	Yes
Interface	RS 232C

## Dimension sheet



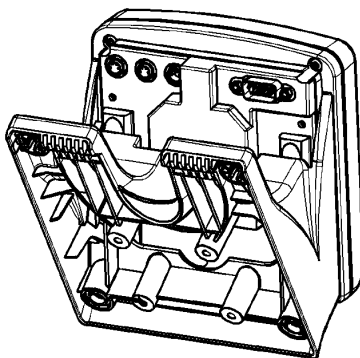
Pump not included



Anschluß VACUU-BUS  
VACUU-BUS connection

Schnittstelle /Interface  
RS 232 C  
9-pin Sub D  
male

Anschluß Netzteil  
wall power supply connection



Für Einbau, Fuß entfernen und Einbausatz 636593, bestehend aus drei Federclips plus Schrauben 3x10, montieren.  
For mounting, remove stand foot and assemble installation kit 636593, consisting of 3 clips and 3 screws 3x10.

Aussparung für Fronteinbau  
Cut-out for front assembly

Blechstärke [mm] wall thickness	Aussparung [mm] cut out
1	111,5x111,5
2	112,0x112,0
3	112,6x112,6

Gewicht / Weight: 0,44 kg  
inkl. Steckernetzteil  
incl. power supply

VACUUBRAND  
CVC 3000 ohne Sensor  
Version: 2011/07/19

VACUUBRAND GMBH + CO KG  
P.O. Box 1664  
97877 Wertheim  
T +49 9342 808 5550  
F +49 9342 808 5555

info@vacuubrand.com  
www.vacuubrand.com

**VACUUBRAND®**

VACUUBRAND is part of the Brand group, a manufacturer of high-quality and innovative laboratory equipment and vacuum technology with a global team of approx. 1,000 employees.

With highly motivated and qualified employees, we manufacture the world's most comprehensive product family for vacuum generation, measurement and control for the rough and fine vacuum range in the laboratory.

**All with one goal:**

Enabling our customers to run reliable, safe and efficient processes. This is why we commit ourselves to continuous innovation, first-class performance, and outstanding quality.

Engineering excellence is central to our ability to deliver products and solutions renowned for their quality, durability, and reliability. Innovative technology, high quality materials and extensive testing deliver unmatched performance - engineered and manufactured in Germany.

Together with you, our experts will find the best solution for your application and provide you with first-class service along the way.

BRAND (Shanghai) Trading Co., Ltd.  
Shanghai, China

T +86 21 6422 2318  
info@brand.com.cn  
china.brand.com.cn

BRAND Scientific Equipment Pvt. Ltd.  
Mumbai, India

T +91 22 42957790  
customersupport@brand.co.in  
www.brand.co.in

BRANDTECH® Scientific, Inc.  
Essex, CT. United States of America

T +1 860 767 2562  
info@brandtech.com  
www.brandtech.com