

# Chemistry diaphragm pump MZ 2C EX

[Link to the website](#)



## Product description

ATEX chemistry diaphragm pumps offer all advantages of oil-free chemistry diaphragm pumps. Typical applications are rotary evaporators and drying ovens with potentially explosive atmospheres. The ATEX approval includes the interior of the pump (in contact with pumped gases) as well as the surrounding area of the pump. All wetted parts of the pumps have excellent chemical resistance and are mainly made of antistatic materials. Included in delivery is a separate gas ballast connection part for use of inert gas.

## Performance features

- outstanding chemical resistance and superior vapor tolerance
- flame proof motor with integrated, self-locking overload and excess temperature protection for direct 230V / 50Hz single phase power supply. No need for any additional and specific overcurrent protection device
- overpressure safety relief valves internally and at outlet
- safety diaphragm technology with option for inert gas purge and detection of diaphragm breakage

## Ordering data

| Product name | Nominal mains voltage   mains frequency | Plug type  | Articleno. |
|--------------|---|------------|------------|
| MZ 2C EX     | 230 V   50 Hz                           | Open wires | 20696920   |

## Items supplied

Pump completely mounted, ready for use, with manual, 2 m cable without plug.

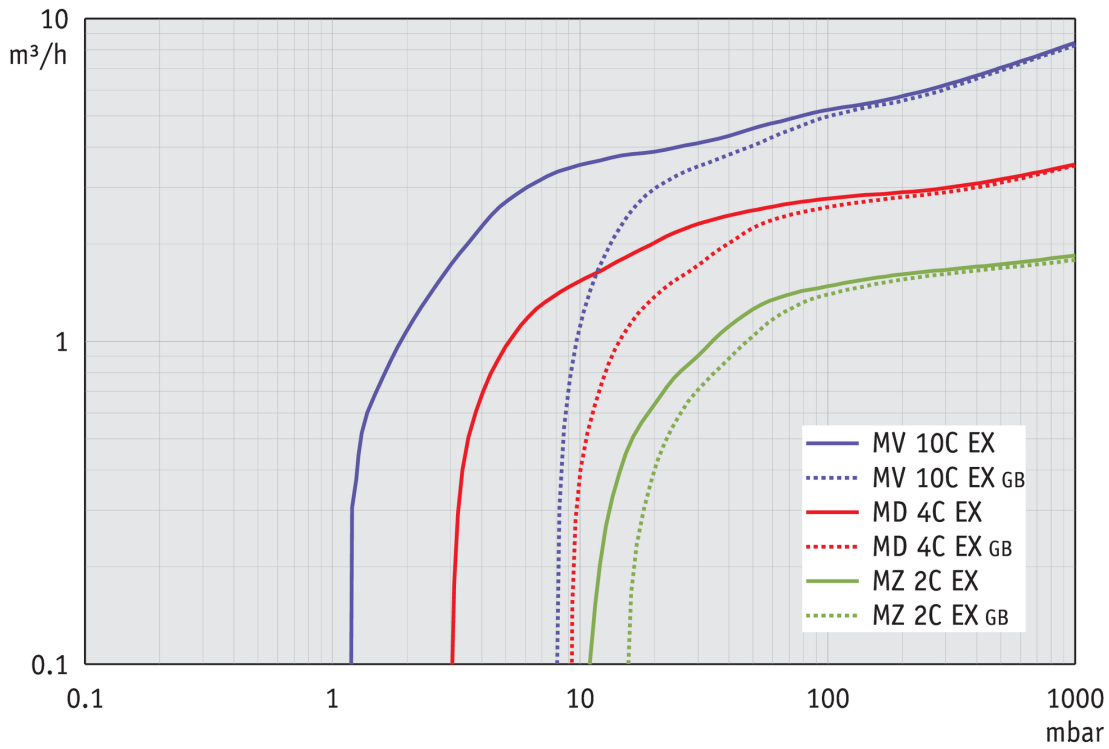
## Accessories

- PTFE-tubing (antistatic) with small flanges KF DN 16 (20686031)

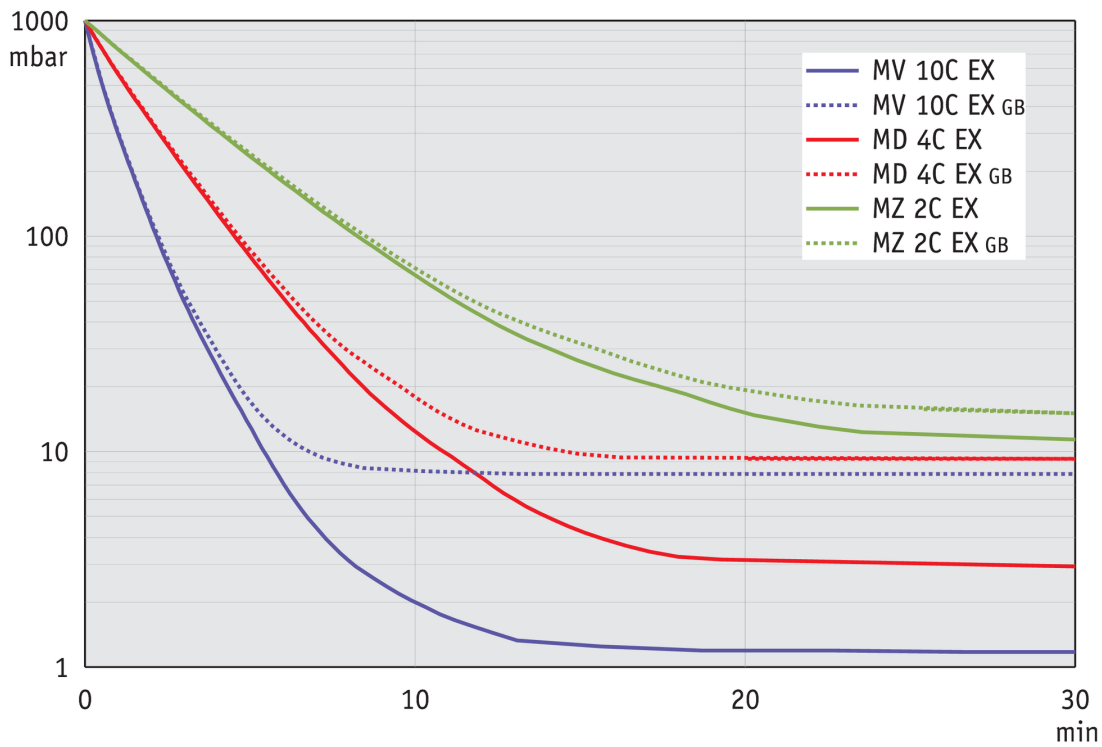
## Technical data

|  |  |
|--|--|
| Max. pumping speed 50 Hz (mbar)  | 1.9 m <sup>3</sup> /h  |
| Ultimate vacuum  | 12 mbar / 9 torr   |
| Ultimate vacuum with gas ballast   | 18 mbar / 13.5 torr  |
| Number of heads  | 2  |
| Number of stages   | 2  |
| Permissible ambient temperature range (operation)  | 10 - 40 °C   |
| Permissible ambient temperature range (storage)  | -10 - 60 °C  |
| Max. outlet pressure (abs.)  | 1.1 bar  |
| Inlet connection   | small flange KF DN 16  |
| Outlet connection  | small flange KF DN 16  |
| Rated motor power  | 0.15 kW  |
| Rated speed 50/60 Hz   | 1500 min <sup>-1</sup>   |
| Protection class IEC 60529   | IP 54  |
| Dimensions (L x W x H)   | 337 mm x 287 mm x 251 mm   |
| Weight   | 21.6 kg  |
| Noise (sound pressure level) in dBA at 50 Hz or 1500 rpm/62% (VARIO)/1500 rpm (VARIO-SP)/12500 Upm (VACUU·PURE®) | 50 dBA   |
| ATEX conformity  | Pumping chamber (pumped gases): II 2G Ex h IIC T3 Gb X Environment with inert purge gas: II 2G Ex h IIB T4 Gb X Environment without inert purge gas: II 3G Ex h IIB T4 Gc X Motor: II 2G Ex db IIB T4 Gb |
| NRTL certification   | No   |

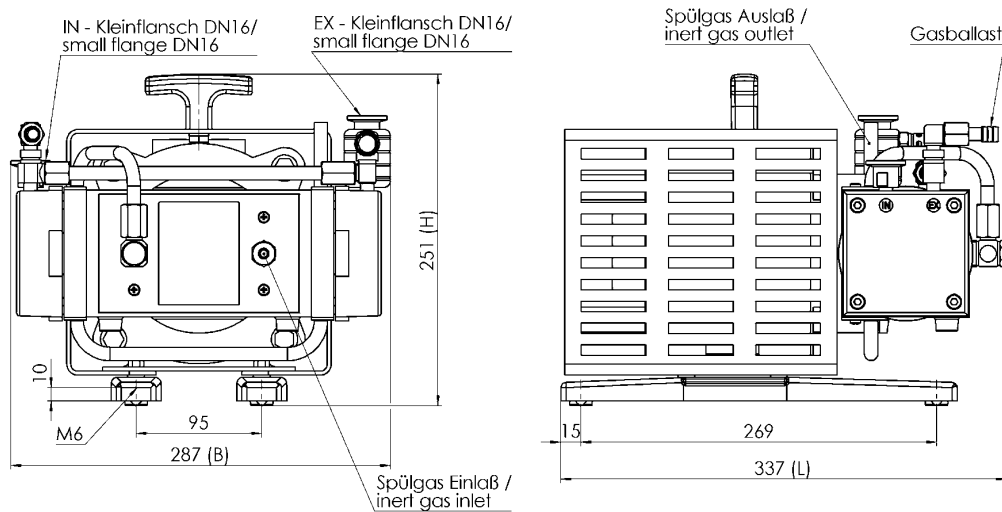
Pumping speed graph at 50 Hz



Pump down graph at 50 Hz (100 l volume)



## Dimension sheet



Gewicht / weight 21,6 kg  
Alle Maße / all dimensions (mm)

VACUUBRAND Pumpe MZ 2C 230/56 EX  
Version 02

VACUUBRAND GMBH + CO KG  
P.O. Box 1664  
97877 Wertheim  
T +49 9342 808 5550  
F +49 9342 808 5555

info@vacuubrand.com  
www.vacuubrand.com

**VACUUBRAND®**

VACUUBRAND is part of the Brand group, a manufacturer of high-quality and innovative laboratory equipment and vacuum technology with a global team of approx. 1,000 employees.

With highly motivated and qualified employees, we manufacture the world's most comprehensive product family for vacuum generation, measurement and control for the rough and fine vacuum range in the laboratory.

**All with one goal:**

Enabling our customers to run reliable, safe and efficient processes. This is why we commit ourselves to continuous innovation, first-class performance, and outstanding quality.

Engineering excellence is central to our ability to deliver products and solutions renowned for their quality, durability, and reliability. Innovative technology, high quality materials and extensive testing deliver unmatched performance - engineered and manufactured in Germany.

Together with you, our experts will find the best solution for your application and provide you with first-class service along the way.

BRAND (Shanghai) Trading Co., Ltd.  
Shanghai, China

T +86 21 6422 2318  
info@brand.com.cn  
china.brand.com.cn

BRAND Scientific Equipment Pvt. Ltd.  
Mumbai, India

T +91 22 42957790  
customersupport@brand.co.in  
www.brand.co.in

BRANDTECH® Scientific, Inc.  
Essex, CT. United States of America

T +1 860 767 2562  
info@brandtech.com  
www.brandtech.com