

Vacuum controller for lab scaffold CVC 3000 detect

[Link to the website](#)



Product description

The CVC 3000 detect is a ready to use two-set-point vacuum controller. It consists of the vacuum controller CVC 3000 with integrated ceramic vacuum sensor and vent valve that forms together with a non-return valve and the chemically resistant solenoid valve a very compact and easy to install unit for vacuum control. The CVC 3000 detect is available both as bench-top device and as a unit designed for attaching to a lab scaffold. For available vacuum sources such as oil-free vacuum pumps that you already own and efficient vacuum network supplies, the electronic control increases the process efficiency and decisively elevates the solvent recovery. The environment is protected, service intervals of the vacuum pump are extended and efficiency is improved. With its adjustable sensitivity the boiling point recognition "detect" does approach and detect independently the boiling pressure and therewith facilitates the work with solvent evaporations. Due to the programmability also complex applications can be ran automatically and reproducibly. The operating concept with its clearly arranged graphical display with clear text menus and jog wheel control is particularly beneficial.

Performance features

- detect function for independent vapor pressure detection - time saving for other tasks
- compact unit with chemically resistant vacuum valve and common laboratory hose connections - immediately ready for use
- the vacuum measuring is integrated within the valve block - direct connection of the CVC 3000 detect between pump and vacuum application
- integrated venting valve - simple pressure balance or ventilation with inert gas at the end of the process
- non-return valve - no interference of parallel applications at a common vacuum source

Ordering data

Product name	Nominal mains voltage mains frequency	Plug type	Articleno.
CVC 3000 detect	100-230 V 50-60 Hz	CEE/CH/UK/US/AUS/CN	22614120

Items supplied

Vacuum controller CVC 3000 detect for lab scaffold, complete with vacuum solenoid valve, non-return valve, integrated ceramic diaphragm vacuum sensor and venting valve. With mounting bracket for lab scaffold, power supply, ready to use, with manual

Accessories

- Rubber vacuum tubing DN 8 mm (20686001)

Technical data

Measuring range (mbar)	1080 - 0.1 mbar
Measuring range (torr)	810 - 0.1 torr
Measurement principle	Ceramic diaphragm (alumina), capacitive, gas indep., absolute pressure
Accuracy of measurement	< +/- 1 mbar/hPa/torr / +/- 1 digit (after adjustment, constant temp.)
Vacuum sensor	Integr.
Temperature coefficient	< 0.07 mbar/hPa/0.05 torr /K
Vacuum sensor connection	Hose nozzle DN 6/10 mm
Venting valve, connection	Integrated, hose nozzle DN 4-5 mm
Permissible ambient temperature range (operation)	10 - 40 °C
Permissible ambient temperature range (storage)	-10 - 60 °C
Max. media temperature (continuous operation)	40 °C
Max. media temperature for short times	80 °C
Material of outer housing	Robust plastic housing with good chemical resistance
Protection class IEC 60529	IP 20
Protection class UL50E	Type 1
Protection class of front side according to IEC 60529	IP 42
Dimensions (L x W x H)	124 x 124 x 114 mm
Weight	1 kg
Max. breaking capacity / breaking current 24V/VACUU·BUS®	4 A
Cable length connection	2 m
ATEX conformity	II 3/- G Ex h IIC T3 Gc X Internal Atm. only
NRTL certification	Yes
Interface	RS 232C

Dimension sheet

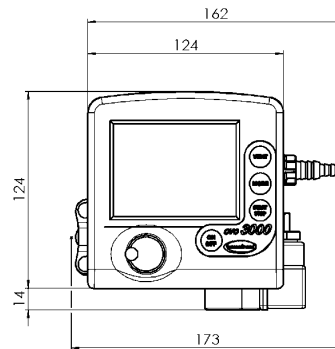
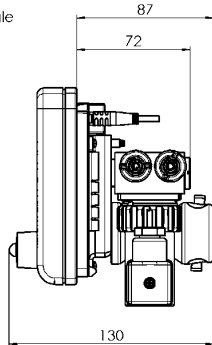
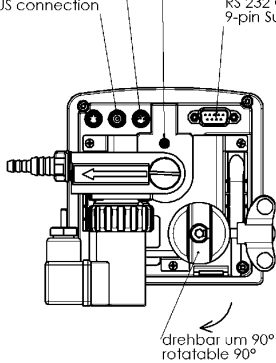


Anschluß Netzteil
wall power supply connection

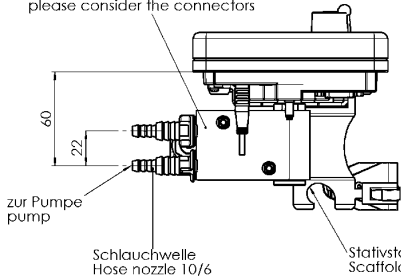
Anschluß VACUU-BUS
VACUU-BUS connection

Anschluß Belüftungsventil
venting valve connection

Schnittstelle/Interface
RS 232 C
9-pin Sub D male

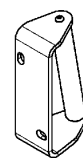


Ventilblock kann gedreht werden,
Anschlüsse beachten
to get to rotate the valve block,
please consider the connectors

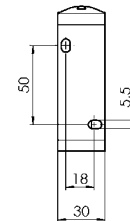


Aussparung für Fronteinbau
Cut-out for front assembly

Blechstärke [mm] wall thickness	Aussparung [mm] cut out
1	111,5x111,5
2	112,0x112,0
3	112,6x112,6



Wandhalter
wall holder



VACUUBRAND GMBH + CO KG
P.O. Box 1664
97877 Wertheim
T +49 9342 808 5550
F +49 9342 808 5555

info@vacuubrand.com
www.vacuubrand.com

VACUUBRAND®

VACUUBRAND is part of the Brand group, a manufacturer of high-quality and innovative laboratory equipment and vacuum technology with a global team of approx. 1,000 employees.

With highly motivated and qualified employees, we manufacture the world's most comprehensive product family for vacuum generation, measurement and control for the rough and fine vacuum range in the laboratory.

All with one goal:

Enabling our customers to run reliable, safe and efficient processes. This is why we commit ourselves to continuous innovation, first-class performance, and outstanding quality.

Engineering excellence is central to our ability to deliver products and solutions renowned for their quality, durability, and reliability. Innovative technology, high quality materials and extensive testing deliver unmatched performance - engineered and manufactured in Germany.

Together with you, our experts will find the best solution for your application and provide you with first-class service along the way.

BRAND (Shanghai) Trading Co., Ltd.
Shanghai, China

T +86 21 6422 2318
info@brand.com.cn
china.brand.com.cn

BRAND Scientific Equipment Pvt. Ltd.
Mumbai, India

T +91 22 42957790
customersupport@brand.co.in
www.brand.co.in

BRANDTECH® Scientific, Inc.
Essex, CT. United States of America

T +1 860 767 2562
info@brandtech.com
www.brandtech.com